



AQUAFIX[®] Separators

The water treatment range.

Modern separation technology for sustainable preservation of vital resources.



The water treatment range.

Modern separation technology for sustainable preservation of vital resources.

Living rivers and lakes, intact groundwater resources, a secure and reliable water supply and efficient wastewater disposal are fundamental requirements for environmentally sound economic development. To avoid harming nature, contaminated water must be treated before it is allowed to flow directly or indirectly back into the natural water cycle.

The mechanical separation process is designed to separate mixtures of substances. The aim is to remove one or more components of the mixture.

The operating principle of the oil and light liquid separator is based on the difference in density between the water and the components being separated from it. The lighter liquid rises to the top, collects on the surface of the water and can then be removed and disposed of. Coalescence separators are an enhancement of standard petroleum separators. These systems work on the coalescence principle, i.e. encouraging the merging of small oil particles into larger ones. Even the smallest drops of oil will then float to the surface as a result of gravity, where they can be separated off.

AQUAFIX separators form part of a controlled disposal concept and will deliver many years of reliable performance. The range consists of high quality systems made of polyethylene, polypropylene, steel or concrete. Each system is individually measured and customised to suit the construction project, thus guaranteeing many years of efficient water treatment. AQUAFIX separators are always state of the art and comply with all relevant standards and regulations.



AQUAFIX®Separators
Series „G“ made of steel

6



AQUAFIX®Separators
Series „k“ made of steel

16



AQUAFIX®Separators
Series made of concrete (H/P)

30



AQUAFIX®Separators
Series „10 PE“ made of polyethylene

56



AQUAFIX®Separators
Series „PP“ made of polypropylene

86



AQUAFIX®Separators
Installation Instructions & Examples

98

AQUAFIX® Separators

The water treatment range.

Modern separation technology for sustainable preservation of vital resources.

Requirements

Water is one of the most valuable resources on Earth. Germany has one of the best developed sewage systems in the world. If both are to be protected and kept in good condition for our descendants, efficient cleansing systems are required.

In fuel stations, industrial and commercial areas where surface water or effluents are polluted with hydrocarbon compounds, light liquid separators are needed that satisfy the rigorous requirements of the norms and regulations governing groundwater protection.

Effluents polluted with grease and fatty acids can cause enormous damage to drain systems and sewage plants. This is where AQUAFIX-Grease and Starch Separators make a valuable contribution to protecting the environment.

Application areas

Fuel stations, car washes, car repair workshops, car showrooms, oil depots, car scrap yards, transformer stations, industrial plants where lubricating oil is used, road haulage depots, police, fire brigade, army, maintenance/servicing areas, parking areas, car customisers and importers, canteen kitchens, student refectories, cafés and restaurants, hotels, cafeterias, producers of ready-made meals, producers of tinned foods, sweet factories, potato processing plants, producers of frozen foods, commercial bakeries, abattoirs, butchers, animal product processing plants, soap and stearin factories, cosmetics industry, cat and dog food producers, fair-ground operators and many more.

AQUAFIX® Separators

Alarm devices.

Security for the environment.

Warning systems

■ Warning system type 1

The W1 LAL-SRW-PF-01 warning system is an alarming device for light liquid separators (petrol, oil and coalescence separators) that is licensed for operation in potentially explosive areas (Zone 0). It is used to detect the oil layer thickness in a light liquid separator. The warning system consists of a signalling unit with LED's for „Power“, „System OK“, „Layer thickness alarm“ and „Sensor error“ and an acoustic alarm. The acoustic alarm can be manually disabled. The „Sensor error“ diode cannot be acknowledged until the cause of the alarm has actually been rectified.

A sensor that creates an electrical field is suspended in the separator. When the light liquid layer in a separator becomes thicker and the separating layer between the water and the light liquid is relocated downwards, the tip of the sensor is suspended in the light liquid. This affects the electrical field and an alarm is triggered.

Item no.: 134100



■ Warning system type 2

The W2 LAL-SRW-PF-08 warning system is an alarming device for light liquid separators. It has the same signalling unit, but has negative switching. In warning system 2 an alarm is signalled when current is flowing. As soon as the liquid level increases and the probe tips reach the surface of the water, an alarm is triggered. In this case the cause of the backup in the separator is irrelevant. For example, if the coalescence material is soiled and preventing an adequate water flow, an alarm is signalled. An alarm is also triggered if the pipeline behind the separator is blocked or the entire system is hydraulically overloaded because of heavy rainfall.

Item no.: 134200



■ Warning system type 3

Has a signalling unit with two plug-in units and two probes. It is a combination of warning systems 1 and 2.

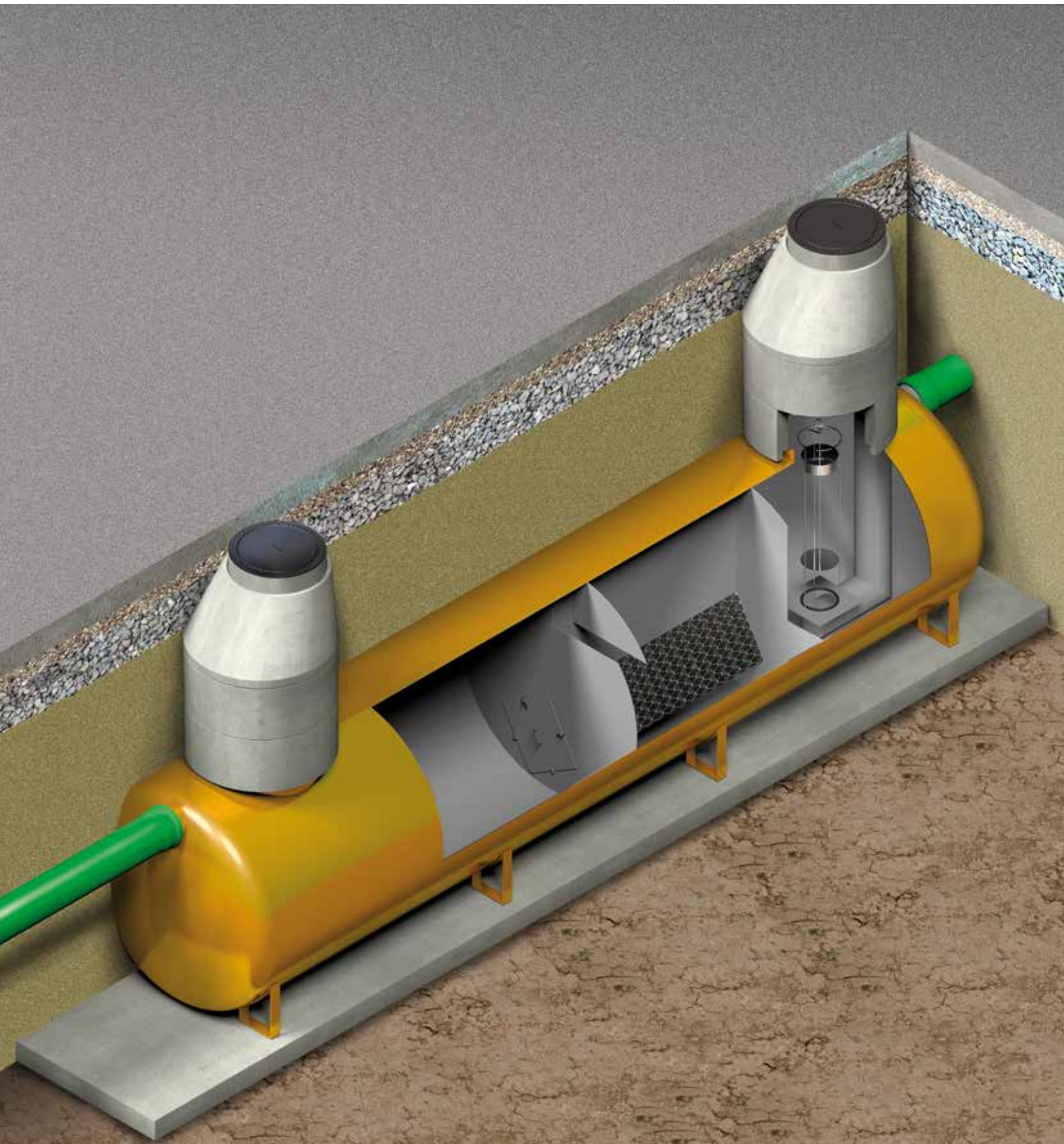
Item no.: 134300

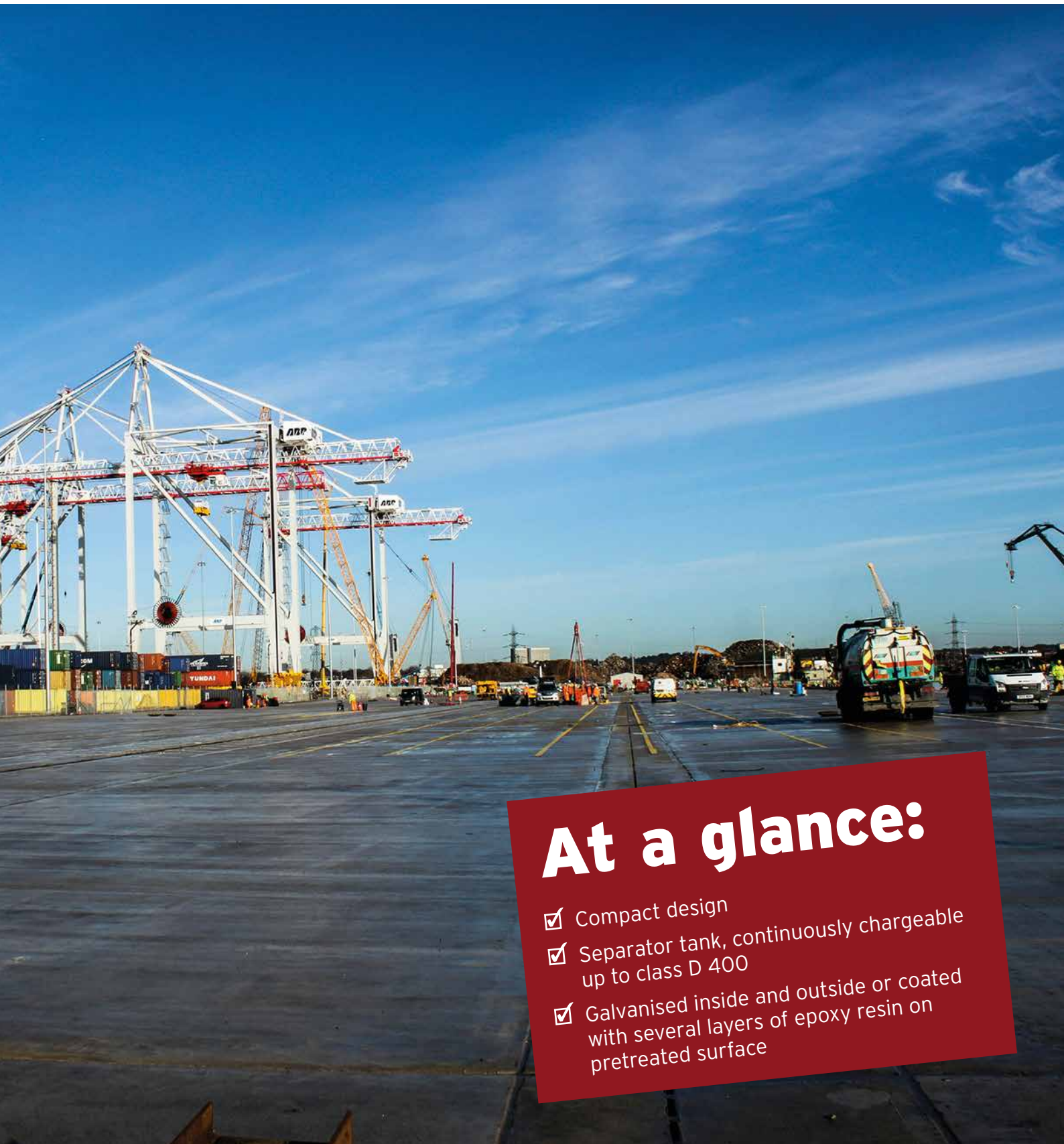


AQUAFIX® Separators

Series „G“ made of steel

Highest volume for biggest flow.





At a glance:

- ✓ Compact design
- ✓ Separator tank, continuously chargeable up to class D 400
- ✓ Galvanised inside and outside or coated with several layers of epoxy resin on pretreated surface

AQUAFIX® Separators

Series „G“ made of steel

Highest volume for biggest flow.

Features

- Compact design
- Complies with standards EN 858/DIN 1999
- Inlets and outlets made from 6 - 8 mm steel plate, same diameter as KG pipes
- Patented float, easy to remove as required by the norm
- Easy to clean lamellar coalescence material
- Maintenance-free coalescence block
- Sampling system can be integrated
- Increased cleaning performance possible
- Warning systems can be integrated
- Additional coalescence element can be retrofitted

Shaft materials

■ Extensions

The 625 and 1000 mm diameter access openings are designed to be completed with DIN 4034/1 shaft material. Shaft extensions can be supplied.





AQUAFIX® Separator at Lego factory in Mexico



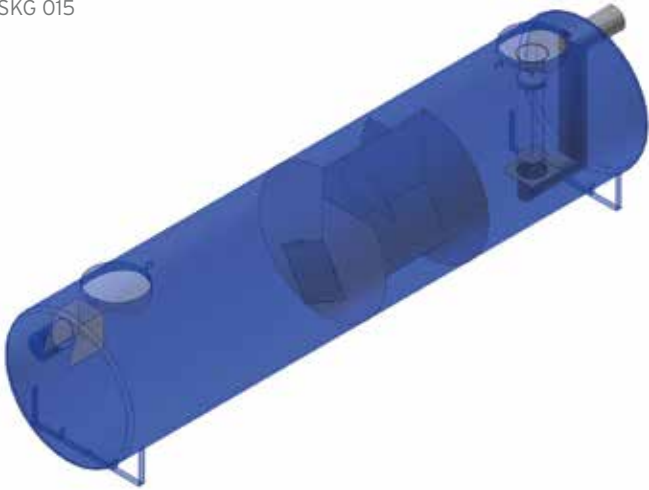
- Largest project of separators overseas
- The following projects were delivered:
 - AQUAFIX® SKGBP 120 - 8.8 metres, 6.1 tons
 - AQUAFIX® SKGBP 200 - 13.9 metres, 8.7 tons
 - AQUAFIX® SKGBP 250 - 17.2 metres, 10.5 tons
 - AQUAFIX® SKGBP 350 - 17.7 metres, 13.5 tons



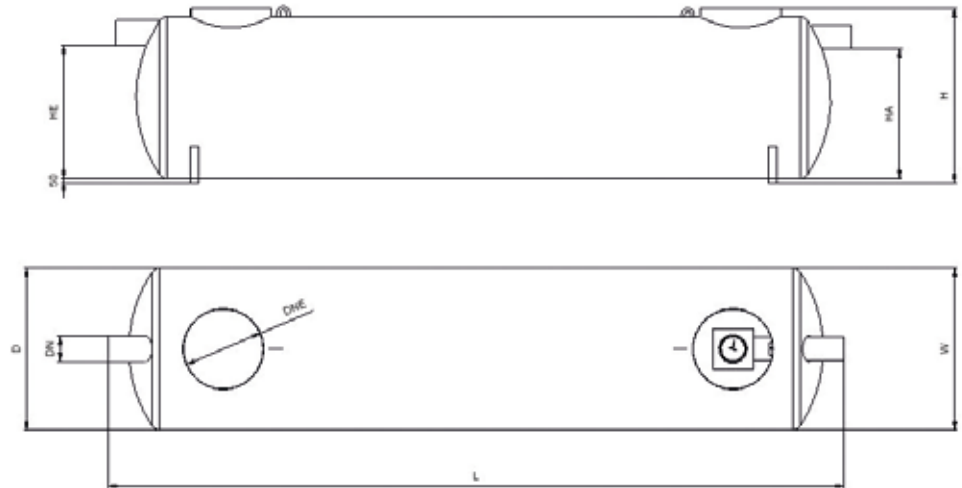
AQUAFIX® Separator made of steel, series G

AQUAFIX® - SKG Coalescence separator with sludge trap

SKG 015



	Length mm	Width mm	Height mm	External diameter mm	Flow performance l/s
SKG 015	3860	1250	1400	1250	15
SKG 020	4960	1250	1400	1250	20
SKG 025	4550	1600	1750	1600	25
SKG 030	5200	1600	1750	1600	30
SKG 035	5600	1600	1750	1600	35
SKG 040	6020	1600	1750	1600	40
SKG 045	5150	2000	2150	2000	45
SKG 050	5450	2000	2150	2000	50
SKG 060	6040	2000	2150	2000	60
SKG 065	6350	2000	2150	2000	65
SKG 070	6750	2000	2150	2000	70
SKG 075	7200	2000	2150	2000	75
SKG 080	7660	2000	2150	2000	80
SKG 090	8240	2000	2150	2000	90
SKG 100	9100	2000	2150	2000	100
SKG 120	8100	2500	2650	2500	120
SKG 130	8100	2500	2650	2500	130
SKG 140	8440	2500	2650	2500	140
SKG 150	8440	2500	2650	2500	150
SKG 160	9740	2500	2650	2500	160
SKG 170	9740	2500	2650	2500	170
SKG 180	10540	2500	2650	2500	180
SKG 200	11300	2500	2650	2500	200
SKG 250	14100	2500	2650	2500	250



AQUAFIX® Steel „G“

AQUAFIX® Steel „K“

AQUAFIX® concrete

AQUAFIX® „10 PE“

AQUAFIX® „PP“

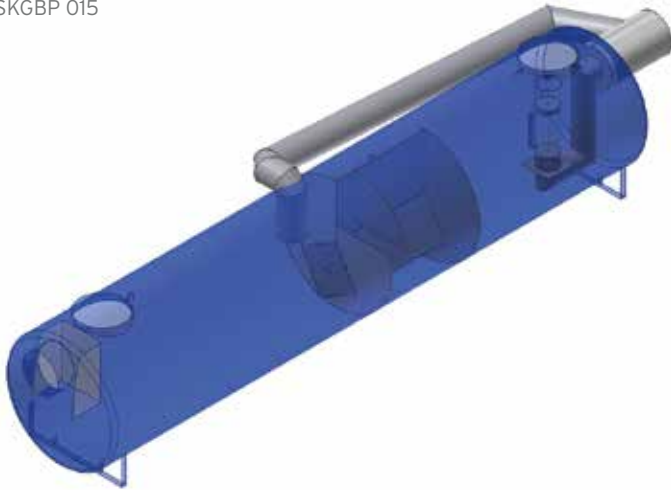
Installation Instructions

Sludge trap capacity l	Separator capacity l	DN/OD in-/outlet mm	HE H inlet mm	HA H outlet mm	DNE Manhole 1 mm	DNE Manhole 2 mm	Weight kg	Item No.
1580	1400	200	1000	950	625	625	952,00	181015
1890	2200	200	1000	950	625	625	1178,00	181020
2900	3380	200	1350	1300	1000	1000	1437,00	181025
3620	3820	200	1350	1300	1000	1000	1580,00	181030
3800	4340	200	1350	1300	1000	1000	1657,00	181035
4710	4200	200	1350	1300	1000	1000	1758,00	181040
4850	6090	315	1650	1600	1000	1000	2356,00	181045
6100	5930	315	1650	1600	1000	1000	2467,00	181050
6930	6470	315	1650	1600	1000	1000	2641,00	181060
7380	6870	315	1650	1600	1000	1000	2766,00	181065
8040	7280	315	1650	1600	1000	1000	2885,00	181070
8320	8250	315	1650	1600	1000	1000	3017,00	181075
9150	8680	315	1650	1600	1000	1000	3113,00	181080
10260	9160	315	1650	1600	1000	1000	3358,00	181090
11370	10400	315	1650	1600	1000	1000	3646,00	181100
13520	16000	400	2050	2000	1000	1000	4431,00	181120
13520	16000	400	2050	2000	1000	1000	4431,00	181130
14220	16840	400	2050	2000	1000	1000	4584,00	181140
14220	16840	400	2050	2000	1000	1000	4584,00	181150
18100	18530	400	2050	2000	1000	1000	5165,00	181160
18100	18530	400	2050	2000	1000	1000	5165,00	181170
19820	20210	400	2050	2000	1000	1000	5515,00	181180
21540	21730	400	2050	2000	1000	1000	5661,00	181200
28270	26950	400	2050	2000	1000	1000	6694,00	181250

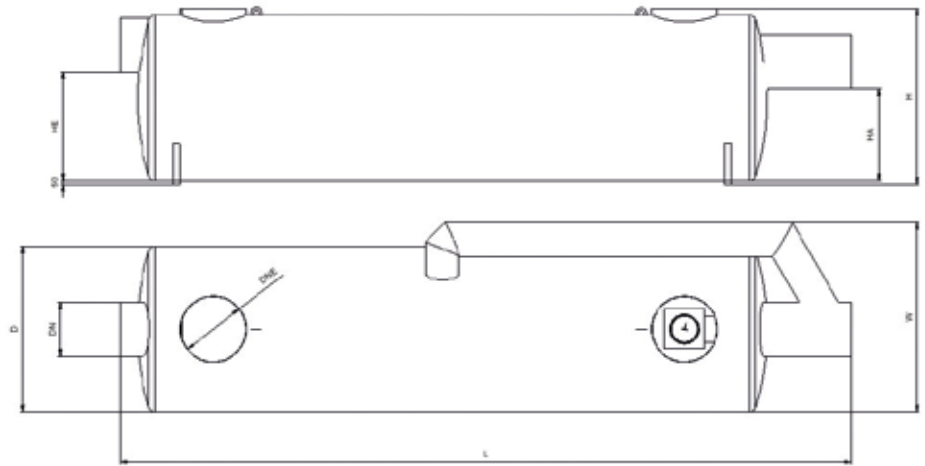
AQUAFIX® Separator made of steel, series G

AQUAFIX® - SKGBP Coalescence separator with sludge trap and bypass

SKGBP 015



	Length mm	Width mm	Height mm	External diameter mm	Flow performance l/s
SKGBP 015	4700	1500	1400	1250	75
SKGBP 020	5825	1500	1400	1250	100
SKGBP 025	5235	1900	1750	1600	125
SKGBP 030	6300	1900	1750	1600	150
SKGBP 035	6300	1900	1750	1600	175
SKGBP 040	7200	1900	1750	1600	200
SKGBP 045	5400	2200	2150	2000	225
SKGBP 050	6000	2200	2150	2000	250
SKGBP 055	6300	2200	2150	2000	275
SKGBP 060	6300	2200	2150	2000	300
SKGBP 065	7200	2200	2150	2000	325
SKGBP 070	8000	2200	2150	2000	350
SKGBP 075	8000	2200	2150	2000	375
SKGBP 080	8500	2200	2150	2000	400
SKGBP 090	7300	2800	2650	2500	450
SKGBP 100	7300	2800	2650	2500	500
SKGBP 120	8800	2800	2650	2500	600
SKGBP 130	9600	2800	2650	2500	650
SKGBP 140	10300	2900	2650	2500	700
SKGBP 150	11000	2900	2650	2500	750
SKGBP 160	11500	2900	2650	2500	800
SKGBP 170	12000	2900	2650	2500	850
SKGBP 180	12700	2900	2650	2500	900
SKGBP 200	13900	2900	2650	2500	1000
SKGBP 250	17200	2900	2650	2500	1250



Sludge trap capacity l	Separator capacity l	DN/OD in-/outlet mm	HE H inlet mm	HA H outlet mm	DNE Manhole 1 mm	DNE Manhole 2 mm	Weight kg	Item No.
1500	1770	315	920	820	625	625	1700,00	182015
2300	2080	315	920	820	625	625	1900,00	182020
2990	2940	400	1150	1000	1000	1000	2350,00	182025
3960	4020	400	1150	1000	1000	1000	2700,00	182030
3960	4020	400	1150	1000	1000	1000	2750,00	182035
4850	4330	400	1150	1000	1000	1000	3050,00	182040
5120	5750	400	1550	1450	1000	1000	3100,00	182045
5690	5490	500	1450	1300	1000	1000	3300,00	182050
5920	6220	500	1450	1300	1000	1000	3500,00	182055
5920	6220	500	1450	1300	1000	1000	3600,00	182060
7460	6950	500	1450	1300	1000	1000	4050,00	182065
8390	7810	500	1450	1300	1000	1000	4250,00	182070
8390	7810	500	1450	1300	1000	1000	4300,00	182075
8600	9030	500	1450	1300	1000	1000	4500,00	182080
10010	12510	630	1850	1650	1000	1000	5450,00	182090
10010	12510	630	1850	1650	1000	1000	5600,00	182100
14010	14610	630	1850	1700	1000	1000	6150,00	182120
14580	13400	800	1650	1400	1000	1000	6300,00	182130
15640	14900	800	1650	1400	1000	1000	6700,00	182140
16710	15120	800	1650	1400	1000	1000	6900,00	182150
17780	16150	800	1650	1400	1000	1000	7450,00	182160
19020	17010	800	1650	1400	1000	1000	7650,00	182170
20090	18040	800	1650	1400	1000	1000	7950,00	182180
22220	20110	800	1650	1400	1000	1000	8650,00	182200
28440	25430	800	1650	1400	1000	1000	10400,00	182250

AQUAFIX® Steel „G“

AQUAFIX® Steel „K“

AQUAFIX® concrete

AQUAFIX® „10 PE“

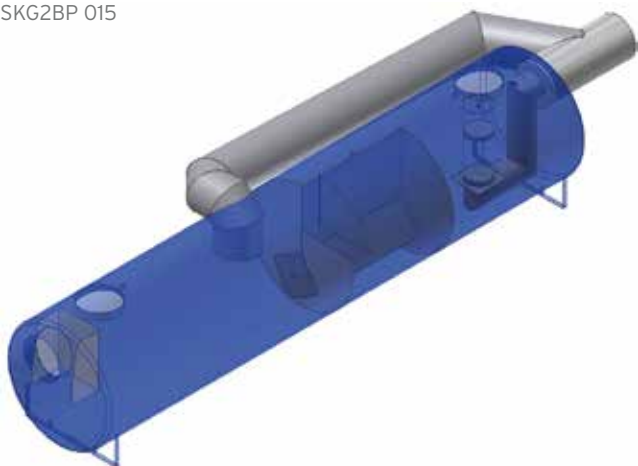
AQUAFIX® „PP“

Installation Instructions

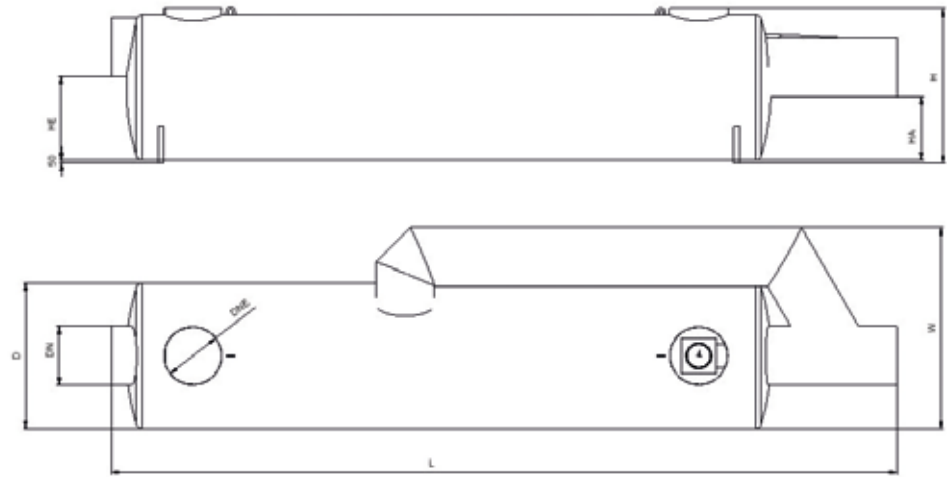
AQUAFIX® Separator made of steel, series G

AQUAFIX® - SKG2BP Coalescence separator with sludge trap and bypass with increased performance

SKG2BP 015



	Length mm	Width mm	Height mm	External diameter mm	Flow performance l/s
SKG2BP 015	5000	1700	1400	1250	150
SKG2BP 020	6300	1700	1400	1250	200
SKG2BP 025	5100	2100	1750	1600	250
SKG2BP 030	7100	2100	1750	1600	300
SKG2BP 035	7100	2100	1750	1600	350
SKG2BP 040	8200	2100	1750	1600	400
SKG2BP 045	6000	2500	2150	2000	450
SKG2BP 050	6200	2500	2150	2000	500
SKG2BP 055	7400	2600	2150	2000	550
SKG2BP 060	7400	2600	2150	2000	600
SKG2BP 065	8200	2600	2150	2000	650
SKG2BP 070	9100	2600	2150	2000	700
SKG2BP 075	9100	2600	2150	2000	750
SKG2BP 080	11900	2900	2150	2000	800
SKG2BP 090	9000	3300	2650	2500	900
SKG2BP 100	9000	3300	2650	2500	1000
SKG2BP 120	10700	3300	2650	2500	1200
SKG2BP 130	11500	3300	2650	2500	1300
SKG2BP 140	13000	3500	2650	2500	1400
SKG2BP 150	13500	3500	2650	2500	1500
SKG2BP 160	14500	3500	2650	2500	1600
SKG2BP 170	15000	3500	2650	2500	1700
SKG2BP 180	15800	3500	2650	2500	1800
SKG2BP 200	11800	3900	3050	2900	2000
SKG2BP 250	13700	3900	3050	2900	2500



Sludge trap capacity l	Separator capacity l	DN/OD in-/outlet mm	HE H inlet mm	HA H outlet mm	DNE Manhole 1 mm	DNE Manhole 2 mm	Weight kg	Item No.
1510	1740	400	820	670	625	625	2300,00	184015
2310	2070	400	820	670	625	625	2700,00	184020
2990	2940	400	1150	1000	1000	1000	2800,00	184025
4050	4060	500	1050	850	1000	1000	3250,00	184030
4050	4060	500	1050	850	1000	1000	3300,00	184035
4860	4760	500	1050	850	1000	1000	3750,00	184040
5310	5370	500	1450	1300	1000	1000	3800,00	184045
5690	5490	500	1450	1300	1000	1000	3900,00	184050
6110	6320	630	1350	1150	1000	1000	4500,00	184055
6110	6320	630	1350	1150	1000	1000	4600,00	184060
7520	6990	630	1350	1150	1000	1000	4650,00	184065
8460	7900	630	1350	1150	1000	1000	5050,00	184070
8460	7900	630	1350	1150	1000	1000	5100,00	184075
8850	9330	800	1150	850	1000	1000	6400,00	184080
9950	12720	800	1650	1400	1000	1000	6700,00	184090
9950	12720	800	1650	1400	1000	1000	6800,00	184100
13860	15120	800	1650	1400	1000	1000	7500,00	184120
14580	16840	800	1650	1400	1000	1000	7900,00	184130
15970	14440	1000	1450	1100	1000	1000	8000,00	184140
16890	15320	1000	1450	1100	1000	1000	8200,00	184150
18120	16500	1000	1450	1100	1000	1000	8900,00	184160
19350	17090	1000	1450	1100	1000	1000	9500,00	184170
20270	18270	1000	1450	1100	1000	1000	10350,00	184180
20640	19120	1000	1850	1500	1000	1000	10800,00	184200
25220	22820	1000	1850	1450	1000	1000	11200,00	184250

AQUAFIX® Steel „G“

AQUAFIX® Steel „k“

AQUAFIX® concrete

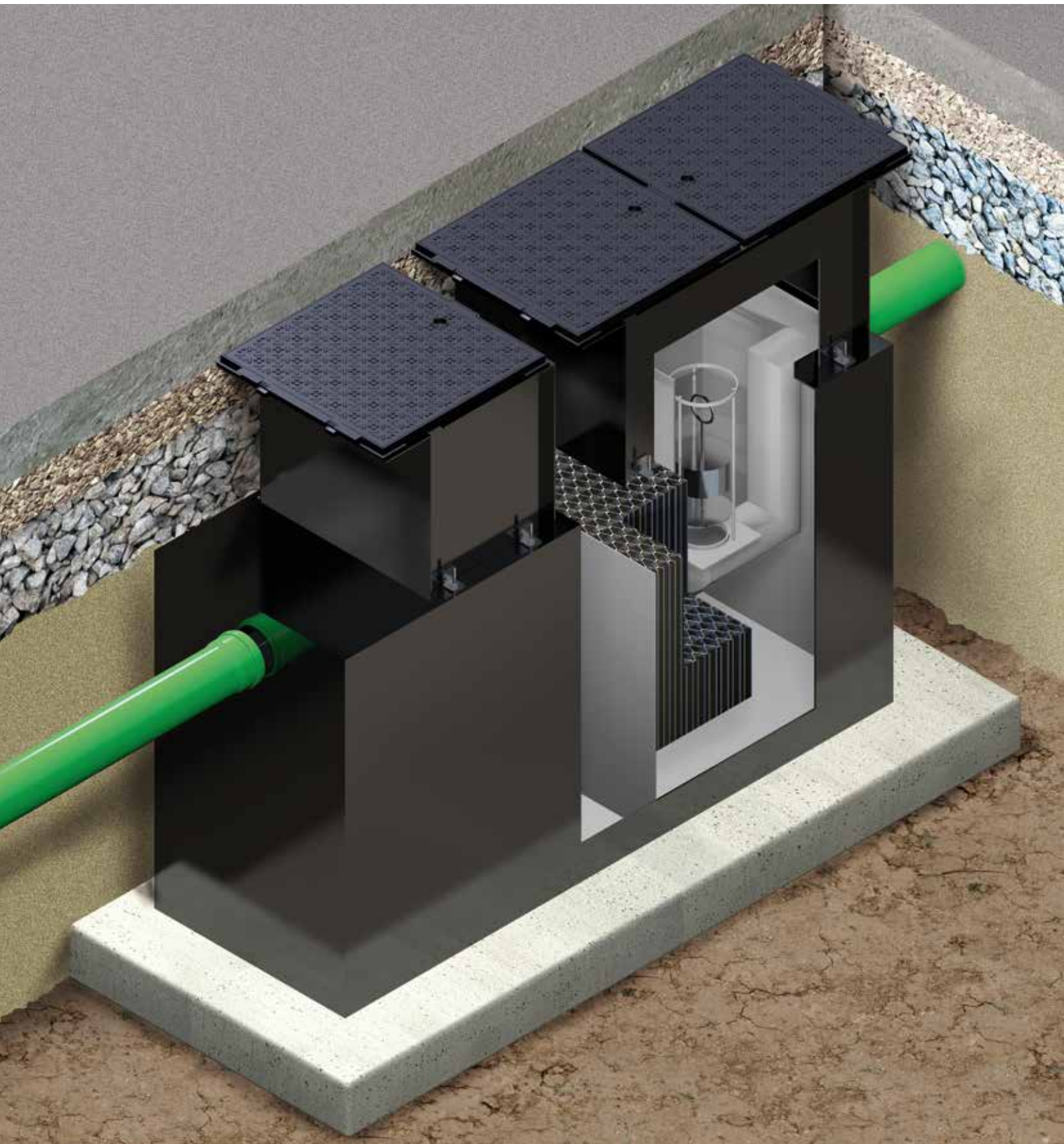
AQUAFIX® „10 PE“

AQUAFIX® „PP“

Installation Instructions

AQUAFIX® Separators

Series „k“ small made of steel
Strong solutions for small flows.





At a glance:

- ✓ At least 5 - 6 mm solid steel plates
- ✓ Separator tank, continuously chargeable up to class D 400
- ✓ Galvanised inside and outside or coated with several layers of epoxy resin on pretreated surface

AQUAFIX® Separators

Series „k“ small made of steel

Strong solutions for small flows.

Features

- At least 5-6 mm solid steel plates
Entry and maintenance openings
Size 1: 500 x 630 mm or 500 x 500 mm;
Size 2: 1000 x 630 mm or 1000 x 500 mm
(Measurements depending on the place of delivery/
country)
- Class B 125 or C 250 extension covers with adjustable
height (Loading class depending on the place of
delivery/country)
- Stop rings to handle the systems
- Separator tank, continuously chargeable
up to class D 400
- Galvanised inside and outside or coated with several
layers of epoxy resin on pretreated surface (Coating
depending on the place of delivery/country)
- Compact design
- Complies with standards EN 858 and EN 1825
- Inlets and outlets made from 5 - 6 mm steel plate,
same diameter as KG pipes

For light liquid separation systems:

- Easy to remove as required by the norm
- Easy to clean lamellar coalescence material
- Maintenance-free coalescence block
- Sampling system can be integrated

Extensions

All models are equipped with 500 x 630 mm and 1000 x 630 mm, or with 500 x 500 mm and 1000 x 500 mm covers. They are 200 mm or 100 mm high and are continuously adjustable by up to 40 mm. They have been designed for class B 125 or C 250. Several units can be stacked on top of each other.



AQUAFIX® Steel „G“

AQUAFIX® Steel „K“

AQUAFIX® concrete

AQUAFIX® „10 PE“

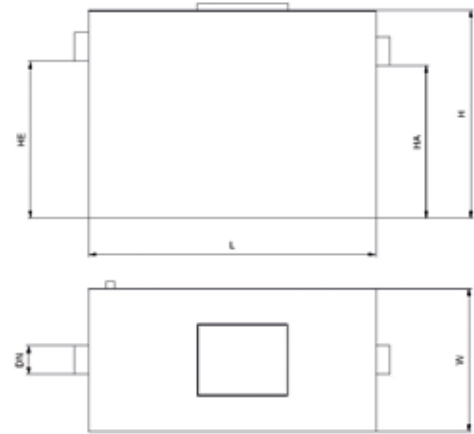
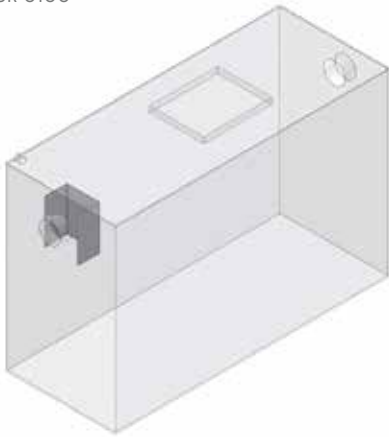
AQUAFIX® „PP“

Installation Instructions

AQUAFIX® Separator made of steel, series k

AQUAFIX® - Sk Sludge trap

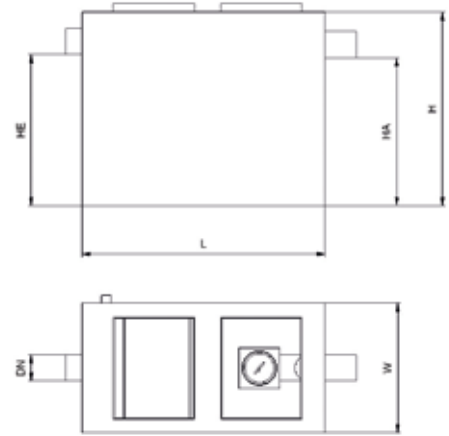
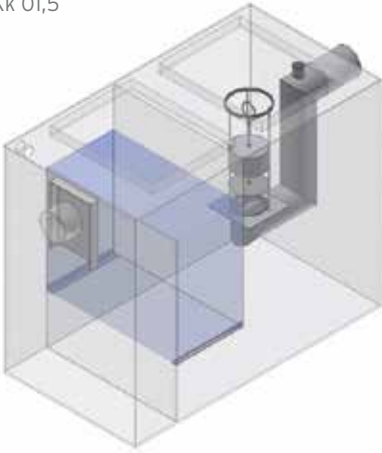
Sk 0100



	Length mm	Width mm	Height mm	Exter- nal dia- meter mm	Flow perfor- mance l/s	Sludge trap capa- city l	Sepa- rator capa- city l	DN/ OD in-/ outlet mm	HE H inlet mm	HA H outlet mm	DNE Man- hole 1 mm	DNE Man- hole 2 mm	Weight kg	Item No.
Sk 0100	800	500	600	-	-	100	-	110	350	320	1	-	94,00	87000
Sk 0150	800	600	600	-	-	150	-	110	350	320	1	-	104,00	87001
Sk 0200	800	600	700	-	-	200	-	110	450	420	1	-	117,00	87002
Sk 0300	1000	600	800	-	-	300	-	110	550	520	1	-	151,00	87003
Sk 0400	1000	600	950	-	-	400	-	110	700	670	1	-	174,00	87004
Sk 0500	1000	600	1150	-	-	500	-	110	900	870	1	-	204,00	87005
Sk 0600	1200	600	1150	-	-	600	-	110	900	870	1	-	232,00	87006
Sk 0800	1200	800	1150	-	-	800	-	110	900	870	1	-	266,00	87008
Sk 1000	1200	800	1400	-	-	1000	-	160	1100	1070	1	-	316,00	87010
Sk 1500	1750	800	1450	-	-	1500	-	200	1100	1070	1	-	425,00	87015
Sk 2000	2000	1000	1450	-	-	2000	-	200	1100	1070	1	-	517,00	87020
Sk 2500	2500	1000	1450	-	-	2500	-	200	1100	1070	1	-	612,00	87025
Sk 3000	2500	1000	1650	-	-	3000	-	200	1300	1270	1	-	677,00	87030
Sk 4000	2500	1200	1750	-	-	4000	-	200	1400	1370	1	-	770,00	87040
Sk 5000	2750	1200	1950	-	-	5000	-	200	1600	1570	1	-	901,00	87050

AQUAFIX® - Kk Coalescence separator

Kk 01,5



	Length mm	Width mm	Height mm	External dia- meter mm	Flow perfor- mance l/s	Sludge trap capa- city l	Sepa- rator capa- city l	DN/ OD in-/ outlet mm	HE H inlet mm	HA H outlet mm	DNE Man- hole 1 mm	DNE Man- hole 2 mm	Weight kg	Item No.
Kk 01,5	1000	600	800	-	1	-	261	110	600	580	1	-	265,00	87501
Kk 03	1000	600	1000	-	3	-	351	110	800	780	1	-	339,00	87503
Kk 04	1000	800	1000	-	4	-	468	110	800	780	1	-	419,00	87504
Kk 06	1200	800	1200	-	6	-	699	160	940	920	2	-	554,00	87506
Kk 08	1500	800	1200	-	8	-	920	160	940	920	2	-	664,00	87508
Kk 10	1500	800	1200	-	10	-	920	160	940	920	2	-	664,00	87510
Kk 15	1500	1000	1500	-	15	-	1475	200	1200	1180	2	-	1010,00	87515
Kk 20	1800	1000	1500	-	20	-	1829	200	1200	1180	2	-	1029,00	87520

AQUAFIX® Steel „G“

AQUAFIX® Steel „K“

AQUAFIX® concrete

AQUAFIX® „10 PE“

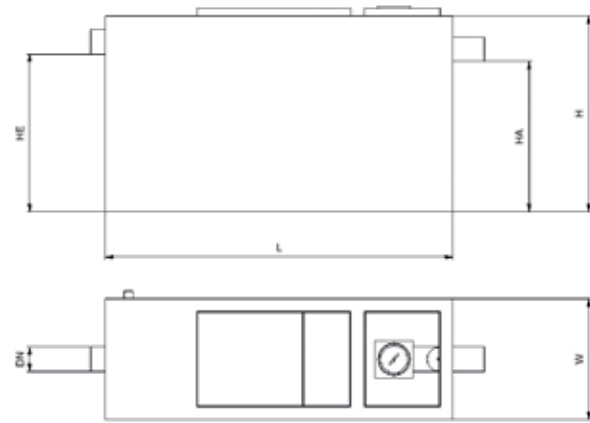
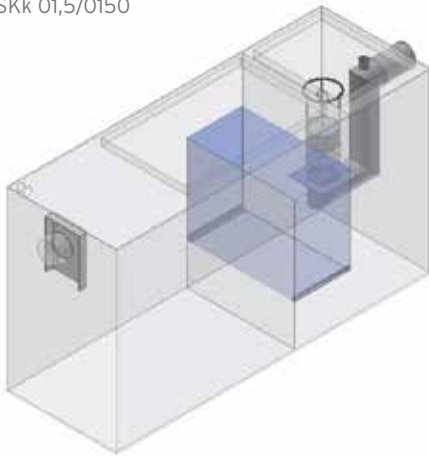
AQUAFIX® „PP“

Installation Instructions

AQUAFIX® Separator made of steel, series k

AQUAFIX® - SKk Coalescence separator with sludge trap

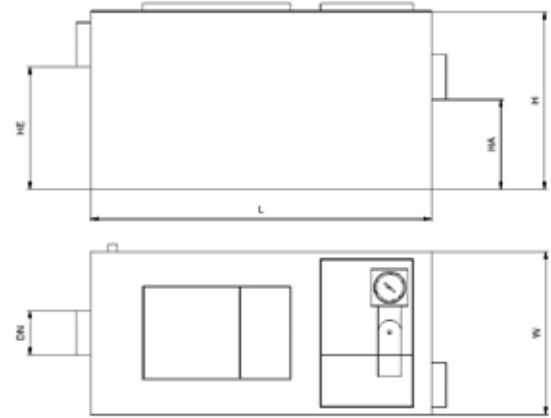
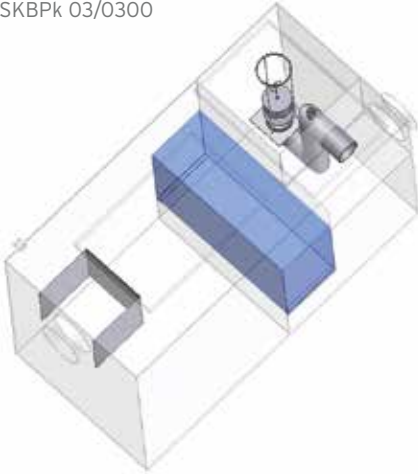
SKk 01,5/0150



	Length mm	Width mm	Height mm	External diameter mm	Flow performance l/s	Sludge trap capacity l	Separa- tor capa- city l	DN/ OD in-/ outlet mm	HE inlet mm	H outlet mm	HA mm	DNE Man- hole 1 mm	DNE Man- hole 2 mm	Weight kg	Item No.
SKk 01,5/0150	1200	600	800	-	1	157	261	110	600	560	-	1	-	291,00	87601
SKk 03/0300	1400	600	1000	-	3	328	328	110	800	750	-	2	-	363,00	87603
SKk 04/0400	1400	800	1000	-	4	406	468	110	800	750	-	-	1	427,00	87604
SKk 06/0600	1800	800	1200	-	6	626	699	160	950	900	-	1	1	623,00	87606
SKk 08/0800	2100	800	1200	-	8	810	662	160	950	900	-	1	1	699,00	87608
SKk 10/1000	2300	800	1300	-	10	1061	734	160	1050	1000	-	1	1	809,00	87610
SKk 15/1500	2300	1100	1600	-	15	1690	1408	200	1300	1250	-	-	3	1275,00	87615
SKk 20/2000	2900	1100	1600	-	20	2253	1830	200	1300	1250	-	-	3	1371,00	87620

AQUAFIX® - SKBPk Coalescence separator with sludge trap and bypass

SKBPk 03/0300



	Length mm	Width mm	Height mm	External dia- meter mm	Flow perfor- mance l/s	Sludge trap capa- city l	Sepa- rator capa- city l	DN/ OD in-/ outlet mm	HE H inlet mm	HA H outlet mm	DNE Man- hole 1 mm	DNE Man- hole 2 mm	Weight kg	Item No.
SKBPk 03/0300	1200	800	1200	-	15	384	426	160	980	760	2	-	498,00	87803
SKBPk 04/0400	1500	800	1200	-	20	473	483	200	930	710	2	-	563,00	87804
SKBPk 06/0600	1900	1000	1300	-	30	859	851	200	1030	810	-	2	804,00	87806
SKBPk 08/0800	2300	1100	1200	-	40	891	872	315	830	610	-	2	916,00	87808
SKBPk 10/1000	2300	1100	1400	-	50	1333	980	315	1030	810	-	2	1073,00	87810
SKBPk 15/1500	2500	1200	1800	-	75	1886	1732	400	1330	1110	-	2	1560,00	87815
SKBPk 20/2000	2900	1200	1800	-	100	2201	1998	400	1330	1110	-	3	1657,00	87820

AQUAFIX® Steel „G“

AQUAFIX® Steel „K“

AQUAFIX® concrete

AQUAFIX® „10 PE“

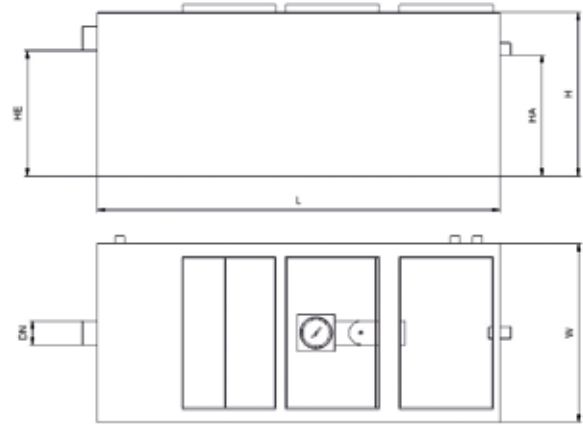
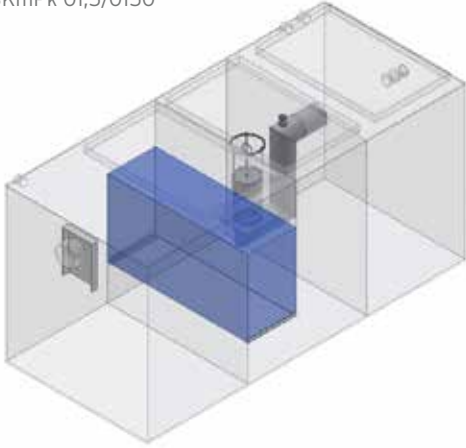
AQUAFIX® „PP“

Installation Instructions

AQUAFIX® Separator made of steel, series k

AQUAFIX® - SKmPk Coalescence separator with sludge trap and pump chamber

SKmPk 01,5/0150



	Length mm	Width mm	Height mm	Exter- nal dia- meter mm	Flow perfor- mance l/s	Sludge trap capa- city l	Sepa- rator capa- city l	DN/ OD in-/ outlet mm	HE H inlet mm	HA H outlet mm	DNE Man- hole 1 mm	DNE Man- hole 2 mm	Weight kg	Item No.
SKmPk 01,5/0150	2200	600	800	-	1.5	157	296	110	600	570	3	-	396,00	87701
SKmPk 03/0300	1800	800	1000	-	3	312	437	110	800	770	3	-	492,00	87703
SKmPk 04/0400	2400	800	1000	-	4	406	562	110	800	770	3	-	574,00	87704
SKmPk 06/0600	2200	1100	1200	-	6	607	1012	160	950	920	-	2	950,00	87706
SKmPk 08/0800	2700	1200	1100	-	8	836	984	160	850	820	-	3	1111,00	87708
SKmPk 10/1000	2700	1200	1300	-	10	1040	1224	160	1050	1020	-	3	1220,00	87710
SKmPk 15/1500	3100	1200	1600	-	15	1690	1690	200	1300	1270	-	3	1633,00	87715
SKmPk 20/2000	3100	1400	1600	-	20	2253	1971	200	1300	1270	-	3	1766,00	87720

Installation Instructions	AQUAFIX® „PP“	AQUAFIX® „10 PE“	AQUAFIX® concrete	AQUAFIX® Steel „K“	AQUAFIX® Steel „G“
---------------------------	---------------	------------------	-------------------	--------------------	--------------------

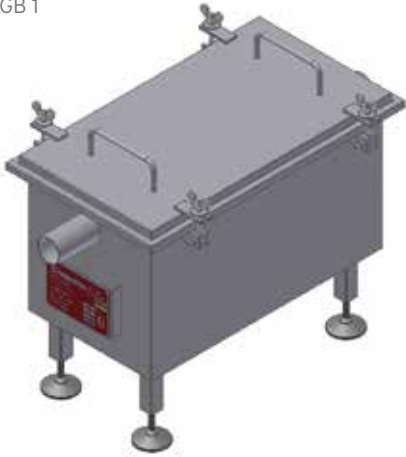
AQUAFIX® Separator made of steel, series k

Grease Separator



AQUAFIX® - Grease separator with sludge trap for overground installation

GB 1



	Length mm	Width mm	Height mm	External dia- meter mm	Flow perfor- mance l/s	Sludge trap capa- city l	Sepa- rator capa- city l	DN/ OD in-/ outlet mm	HE H inlet mm	HA H outlet mm	DNE Man- hole 1 mm	DNE Man- hole 2 mm	Weight kg	Item No.
GB 1	760	415	560	-	1	11	22	50	325	290	-	-	27,00	77050
SFe 01/0100	950	450	642	-	1	100	96	75	500	470	-	-	70,00	77100
SFe 02/0200	1650	640	1000	-	2	200	550	110	770	700	-	-	225,00	77200

AQUAFIX® Steel „G“

AQUAFIX® Steel „K“

AQUAFIX® concrete

AQUAFIX® „10 PE“

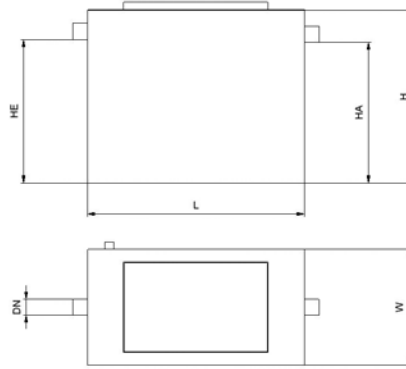
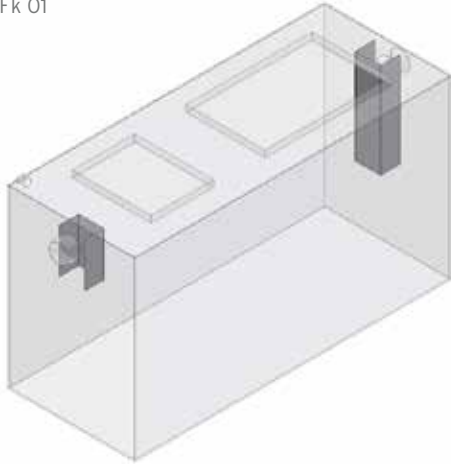
AQUAFIX® „PP“

Installation Instructions

AQUAFIX® Separator made of steel, series k

AQUAFIX® - Fk Grease separator

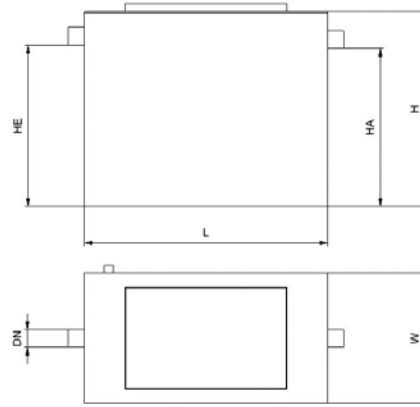
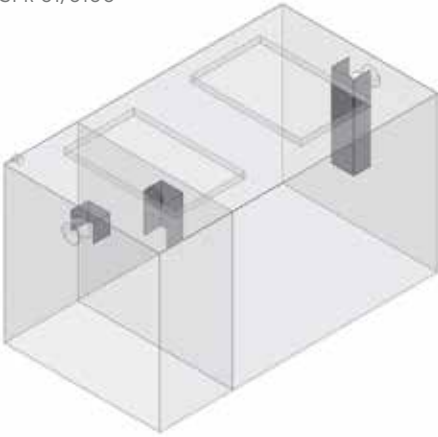
Fk 01



	Length mm	Width mm	Height mm	External dia- meter mm	Flow perfor- mance l/s	Sludge trap capa- city l	Sepa- rator capa- city l	DN/ OD in-/ outlet mm	HE inlet mm	H outlet mm	HA H mm	DNE Man- hole 1 mm	DNE Man- hole 2 mm	Weight kg	Item No.
Fk 01	1000	500	1000	-	1	-	390	110	800	780	1	-	171,00	87101	
Fk 02	1200	800	1000	-	2	-	749	110	800	780	1	-	242,00	87102	
Fk 04	1500	800	1200	-	4	-	1176	110	1000	980	-	1	324,00	87104	
Fk 07	1800	1000	1200	-	7	-	1674	160	950	930	-	1	416,00	87107	
Fk 10	2500	1000	1400	-	10	-	2825	160	1150	1130	1	1	597,00	87110	
Fk 15	3200	1200	1400	-	15	-	4147	200	1100	1080	-	2	609,00	87115	
Fk 20	3200	1600	1500	-	20	-	6042	200	1200	1180	-	2	953,00	87120	
Fk 25	4000	1600	1500	-	25	-	7552	200	1200	1180	-	2	1133,00	87125	

AQUAFIX® - SFk Grease separator with sludge trap

SFk 01/0100



	Length mm	Width mm	Height mm	External dia- meter mm	Flow perfor- mance l/s	Sludge trap capa- city l	Sepa- rator capa- city l	DN/ OD in-/ outlet mm	HE H inlet mm	HA H outlet mm	DNE Man- hole 1 mm	DNE Man- hole 2 mm	Weight kg	Item No.
SFk 01/0100	1000	500	1000	-	1	113	256	110	800	730	1	-	194,00	87201
SFk 02/0200	1200	800	1000	-	2	240	467	110	800	730	-	1	277,00	87202
SFk 04/0400	1500	1000	1200	-	4	475	930	110	1000	930	-	1	418,00	87204
SFk 07/0700	2400	1000	1400	-	7	715	1890	160	1150	1080	1	1	644,00	87207
SFk 10/1000	2500	1400	1400	-	10	1001	2797	160	1150	1080	-	2	793,00	87210
SFk 15/1500	3200	1600	1500	-	15	1564	4249	200	1100	1030	-	2	1063,00	87215
SFk 20/2000	4000	1800	1500	-	20	2277	5899	200	1200	1130	-	2	1325,00	87220
SFk 25/2500	5000	1800	1500	-	25	2588	7628	200	1200	1130	-	2	1567,00	87225

AQUAFIX® Steel „G“

AQUAFIX® Steel „K“

AQUAFIX® concrete

AQUAFIX® „10 PE“

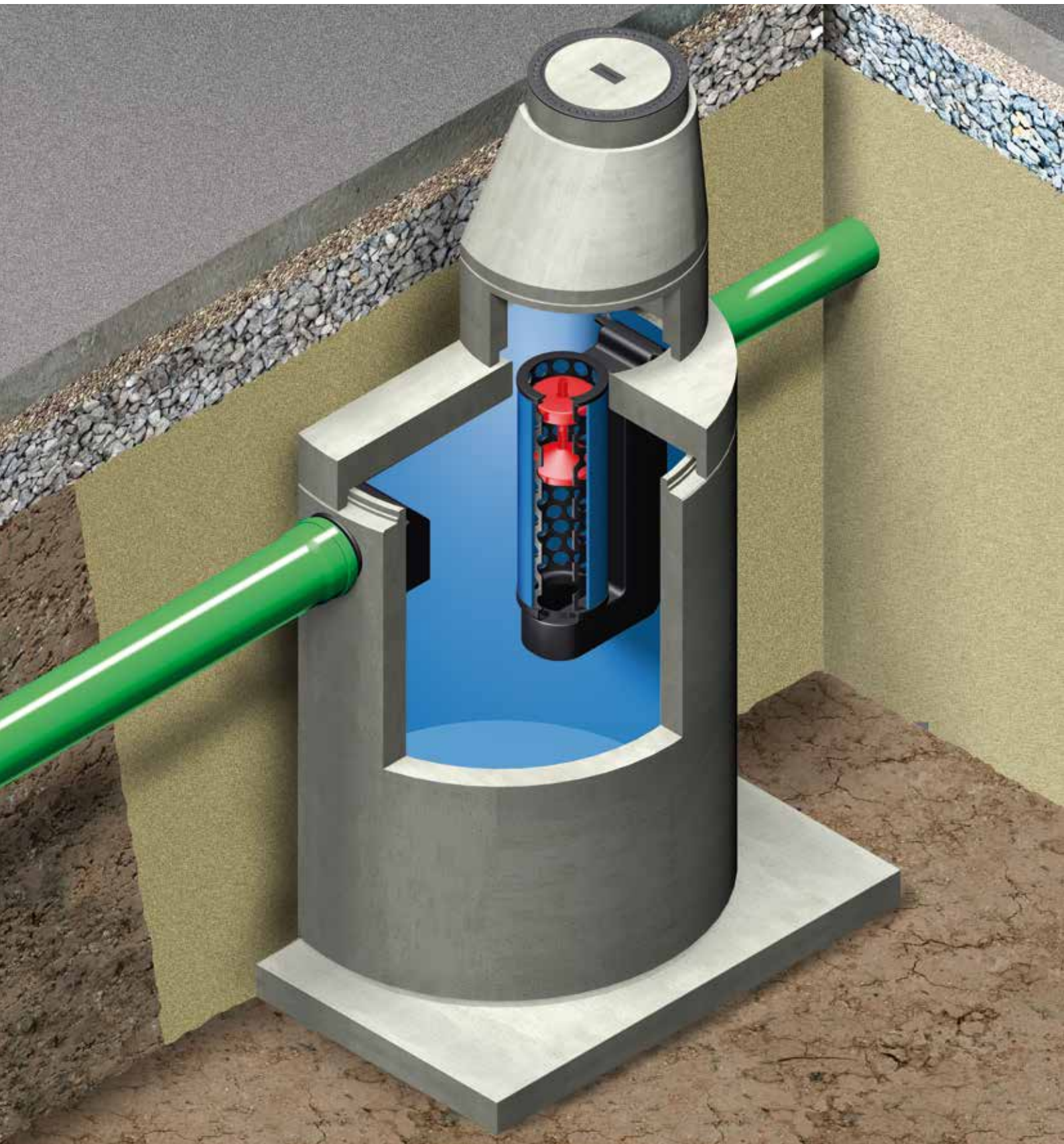
AQUAFIX® „PP“

Installation Instructions

AQUAFIX® Separators

Series made of concrete

Solid constructions for heavy duty.





At a glance:

- ✓ High quality concrete
- ✓ Strong wall thickness
- ✓ Conforms to standards - even down to the details

AQUAFIX® Separators

Series made of concrete

Solid constructions for heavy duty.

Features

- high grade reinforced concrete C35/45 in accordance with Eurocode EC 206, DIN 1045 and 4281, wall thickness at least 120 mm
- coating consisting of three layers of epoxy resin resistant to light liquids and fatty acids
- conform to European standards EN 858 and 1825





AQUAFIX® Steel „G“

AQUAFIX® Steel „K“

AQUAFIX® concrete

AQUAFIX® „10 PE“

AQUAFIX® „PP“

Installation Instructions

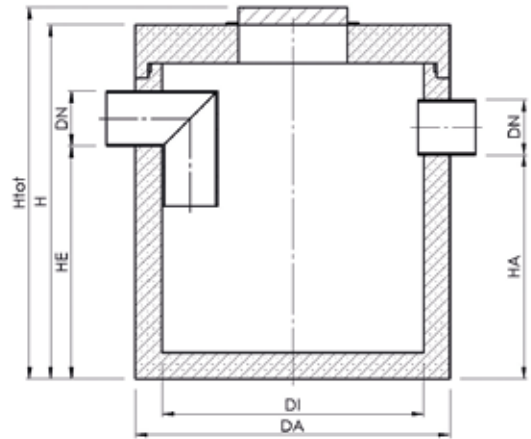
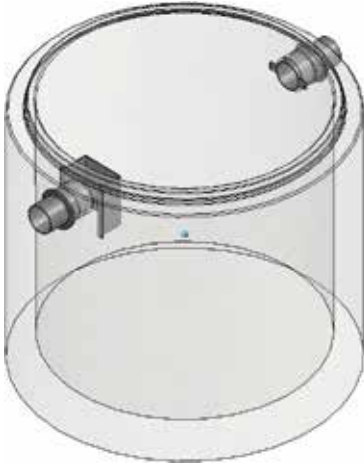
AQUAFIX® Separator made of concrete, **series P**

The following
are products
from Poland -
series P



AQUAFIX® - S Sludge trap

S 02000/0150

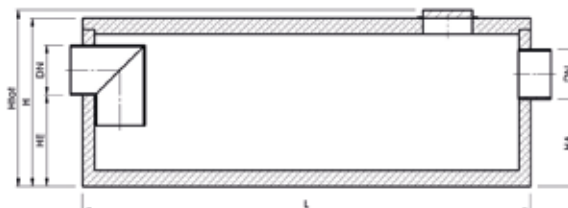
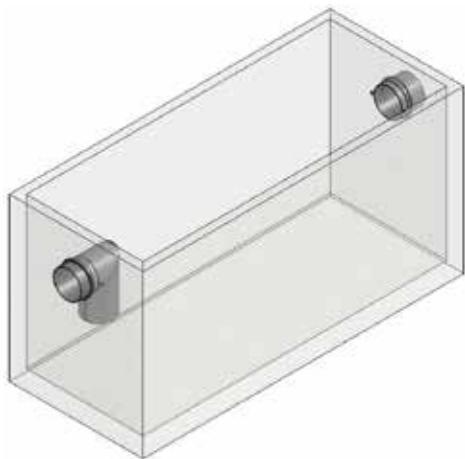


	Length mm	Width mm	Height mm	Ex- ternal dia- meter mm	Flow perfor- mance l/s	Sludge trap capa- city l	Sepa- rator capa- city l	DN/ OD in-/ outlet mm	HE H inlet mm	HA H outlet mm	DNE Man- hole 1 mm	DNE Man- hole 2 mm	Weight kg	Item No.
S 00300/0100	1300	1300	1300	1300	-	300	-	110	720	695	625	-	2490,00	3101031P
S 00600/0150	1300	1300	1620	1300	-	600	-	160	990	965	625	-	2680,00	3101061P
S 01000/0150 P	1300	1300	2080	1300	-	1000	-	160	1450	1425	625	-	3280,00	3101101P
S 01500/0200 P	1500	1500	2180	1500	-	1500	-	200	1510	1485	625	-	4180,00	3101152P
S 02000/0150	1800	1800	1940	1800	-	2000	-	160	1310	1285	625	-	5060,00	3101103P
S 02000/0200	1800	1800	1980	1800	-	2000	-	200	1310	1285	625	-	5150,00	3101203P
S 01000 / 0400 P	1800	1800	2530	1800	-	3000	-	160	1900	1875	625	-	7100,00	3101104P
S 02500 / 0200 P	2300	2300	1770	2300	-	3000	-	200	1100	1075	625	-	7370,00	3101205P
S 03500 / 0150 P	2300	2300	1910	2300	-	3000	-	315	1125	1100	625	-	7460,00	3101305P
S 04000/0200	2300	2300	2120	2300	-	4000	-	200	1450	1425	625	-	8090,00	3101206P
S 08000 / 0200 P	2300	2300	2770	2300	-	6000	-	200	2095	2070	625	-	10100,00	3101208P
S 07500 / 0250 P	2300	2300	2880	2300	-	6000	-	315	2095	2070	625	-	11030,00	3101308P
S 07500 / 0250 P	2740	2740	2800	2740	-	9000	-	315	2015	1990	625	-	11820,00	3101319P

AQUAFIX® Separator made of concrete, series P

AQUAFIX® - S Sludge trap, rectangular version

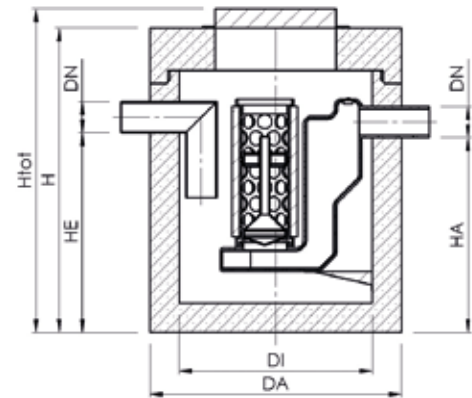
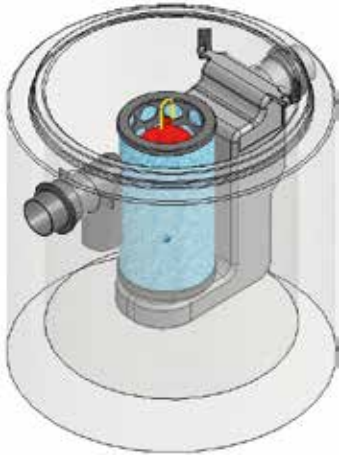
S 10000/0500 rectangular P



	Length mm	Width mm	Height mm	Ex- ternal dia- meter mm	Flow perfor- mance l/s	Sludge trap capa- city l	Separa- tor capa- city l	DN/ OD in-/ outlet mm	HE inlet mm	H outlet mm	HA H mm	DNE Man- hole 1 mm	DNE Man- hole 2 mm	Weight kg	Item No.
S 10000/0500 rectangular P	5660	2360	2090	-	-	10000	-	500	1150	1100	625	-	-	22430,00	3101005P
S 10000/0600 rectangular P	5660	2360	2220	-	-	10000	-	630	1150	1100	625	-	-	23110,00	3101006P
S 10000/0800 rectangular P	5660	2360	2390	-	-	10000	-	800	1150	1100	625	-	-	23910,00	3101008P
S 10000/1000 rectangular P	5660	2360	2590	-	-	10000	-	1000	1150	1100	625	-	-	24840,00	3101010P
S 12000/0600 angular P	5660	2360	2410	-	-	12000	-	630	1340	1290	625	-	-	24190,00	3101210P
S 12000/1000 angular P	5660	2360	2780	-	-	12000	-	1000	1340	1290	625	-	-	25920,00	3101126P
S 15000/0500 rectangular P	5660	2360	2550	-	-	15000	-	500	1610	1560	625	-	-	25040,00	3101505P
S 20000/0500 rectangular P	5660	2360	3000	-	-	20000	-	500	2060	2010	625	-	-	27600,00	3102005P
S 20000/0600 rectangular P	5660	2360	3130	-	-	20000	-	630	2060	2010	625	-	-	28270,00	3102006P
S 20000/0800 rectangular P	5660	2360	3300	-	-	20000	-	800	2060	2010	625	-	-	29080,00	3102008P

AQUAFIX® - K Coalescence separator

K 10 P

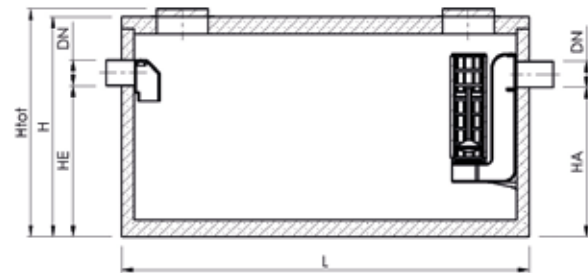
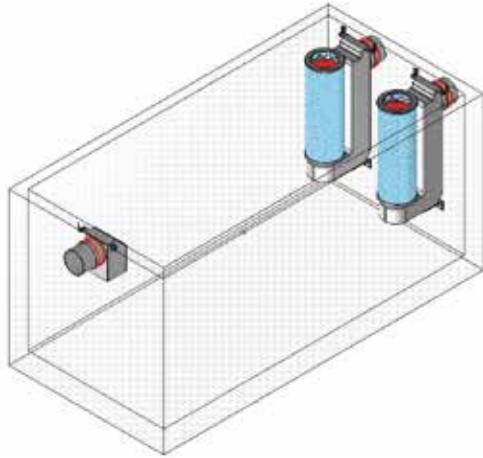


	Length mm	Width mm	Height mm	Ex- ternal dia- meter mm	Flow perfor- mance l/s	Sludge trap capa- city l	Sepa- rator capa- city l	DN/ OD in-/ outlet mm	HE H inlet mm	HA H outlet mm	DNE Man- hole 1 mm	DNE Man- hole 2 mm	Weight kg	Item No.
K 03 P	1300	1300	1500	1300	3	-	400	110	920	895	625	-	2490,00	3103030P
K 06 P	1300	1300	1500	1300	6	-	550	160	870	845	625	-	2480,00	3103060P
K 10 P	1300	1300	1620	1300	10	-	650	160	990	965	625	-	2680,00	3103100P
K 15 P	1500	1500	1720	1500	15	-	1000	200	1050	1025	625	-	3520,00	3103150P
K 20 P	1800	1800	1660	1800	20	-	1450	200	990	965	625	-	4530,00	3103200P
K 30 P	1800	1800	2400	1800	30	-	2550	315	1615	1590	625	-	6160,00	3103300P
K 40 P	2300	2300	2400	2300	40	-	3750	315	1615	1590	625	-	9110,00	3103400P
K 50 P	2300	2300	2400	2300	50	-	4000	315	1615	1590	625	-	9110,00	3103500P
K 60 P	2740	2740	2410	2740	60	-	4600	315	1625	1600	625	-	10250,00	3103600P
K 070	2740	2740	2410	2740	70	-	5200	315	1625	1600	625	-	10250,00	3103700P
K 80 P	2740	2740	2410	2740	80	-	6100	315	1625	1600	625	-	10250,00	3103800P
K 090	2740	2740	2410	2740	90	-	7400	315	1625	1600	625	-	10250,00	3103900P
K 100 P	2740	2740	2790	2740	100	-	8985	315	2005	1980	625	-	11220,00	3103101P

AQUAFIX® Separator made of concrete, series P

AQUAFIX® - K Coalescence separator - rectangular shape

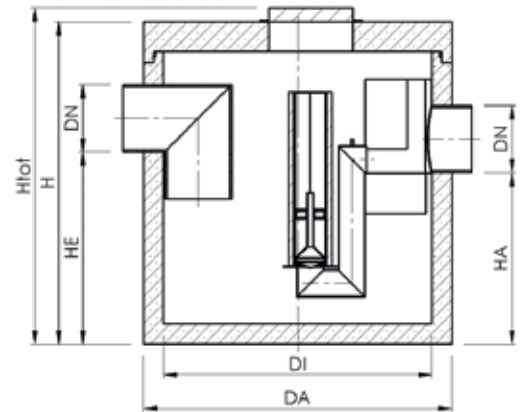
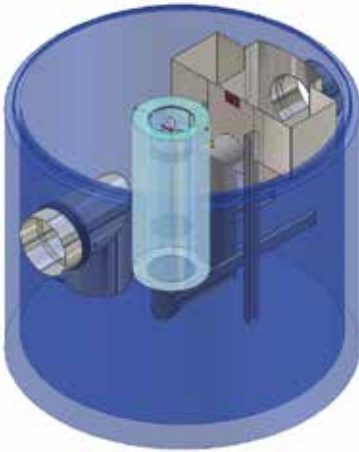
K 150 rectangular P



	Length mm	Width mm	Height mm	Ex- ternal dia- meter mm	Flow perfor- mance l/s	Sludge trap capa- city l	Sepa- rator capa- city l	DN/ OD in-/ outlet mm	HE inlet mm	H outlet mm	HA Man- hole 1 mm	H Man- hole 2 mm	Weight kg	Item No.
K 150 rectangular P	5660	2360	3100	-	150	-	17700	500	1900	1800	800	800	28220,00	3178150P
K 200 rectangular P	5660	2360	3300	-	200	-	19900	500	2200	2000	800	800	39360,00	3178200P

AQUAFIX® - K2BP Coalescence separator with double bypass

K2BP 10 P



	Length mm	Width mm	Height mm	Ex- ternal dia- meter mm	Flow perfor- mance l/s	Sludge trap capa- city l	Sepa- rator capa- city l	DN/ OD in-/ outlet mm	HE inlet mm	H mm	HA outlet mm	DNE Man- hole 1 mm	DNE Man- hole 2 mm	Weight kg	Item No.
K2BP 10 P	1500	1500	2650	1500	100	-	1610	400	1650	1575	625	-	4860,00	3174010P	
K2BP 15 P	1800	1800	2650	1800	150	-	2520	400	1695	1575	625	-	6520,00	3174015P	
K2BP 20 P	2300	2300	2500	2300	200	-	3530	500	1430	1275	625	-	9070,00	3174020P	
K2BP 30 P	2300	2300	2900	2300	300	-	4480	630	1675	1575	625	-	10290,00	3174030P	
K2BP 40 P	2740	2740	2900	2300	400	-	6185	630	1600	1425	625	-	11290,00	3174040P	
K2BP 60 P	2740	2740	3050	2300	600	-	6920	800	1750	1575	625	-	11530,00	3174060P	
K2BP 80 P	3300	3300	3050	3300	800	-	9360	800	1675	1475	625	-	18840,00	3174080P	
K2BP 90 P	3300	3300	3300	3300	900	-	10600	1000	1750	1550	800	-	19540,00	3174090P	

AQUAFIX® Steel „G“

AQUAFIX® Steel „k“

AQUAFIX® concrete

AQUAFIX® „10 PE“

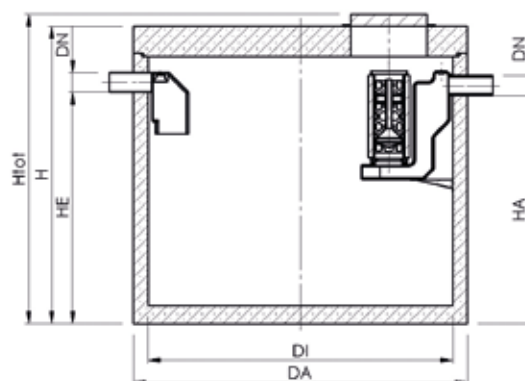
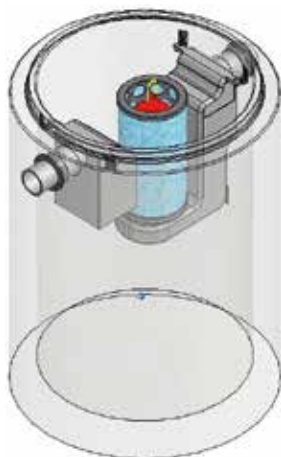
AQUAFIX® „PP“

Installation Instructions

AQUAFIX® Separator made of concrete, series P

AQUAFIX® - SK Coalescence separator with sludge trap

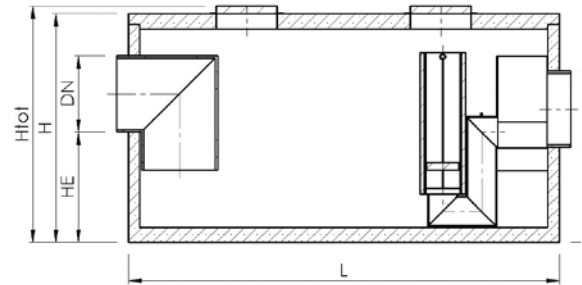
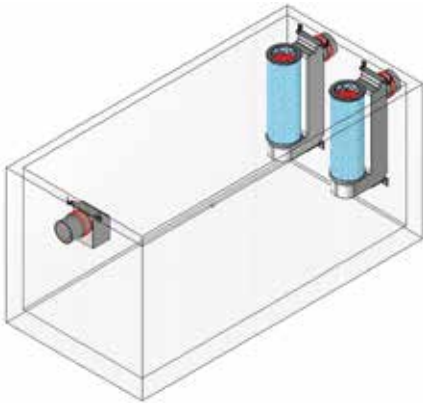
SK 10/1000



	Length mm	Width mm	Height mm	Exter- nal dia- meter mm	Flow perfor- mance l/s	Sludge trap capa- city l	Sepa- rator capa- city l	DN/ OD in-/ outlet mm	HE H inlet mm	HA H outlet mm	DNE Man- hole 1 mm	DNE Man- hole 2 mm	Weight kg	Item No.
SK 03/0650 P	1300	1300	2260	1300	3	600	400	110	1680	1655	625	-	3550,00	3176043P
SK 06/0600	1300	1300	2310	1300	6	600	550	160	1680	1655	625	-	3540,00	3176061P
SK 10/1000	1500	1500	2380	1500	10	1000	650	160	1750	1725	625	-	4510,00	3176101P
SK 10/2000	1800	1800	2620	1800	10	2000	650	160	1990	1965	625	-	6500,00	3176104P
SK 10/2500 P	1800	1800	2910	1800	10	2500	650	160	2280	2255	625	-	7100,00	3176105P
SK 10/3000	1800	1800	3070	1800	10	3000	650	160	2440	2415	625	-	7300,00	3176106P
SK 10/5000 P	2300	2300	3070	2300	10	5000	650	160	2440	2415	625	-	11070,00	3176107P
SK 15/1500	1800	1800	2320	1800	15	1500	1000	200	1650	1625	625	-	5890,00	3176152P
SK 15/3000 P	1800	1800	3070	1800	15	3000	1000	200	2390	2365	625	-	7290,00	3176155P
SK 15/5000 P	2300	2300	3070	2300	15	5000	1000	200	2400	2375	625	-	11060,00	3176157P
SK 20/4000 P	1800	1800	2790	1800	20	2000	1450	200	2120	2095	625	-	6760,00	3176203P
SK 20/4000 P	2300	2300	2750	2300	20	4000	1450	200	2080	2055	625	-	10100,00	3176204P
SK 30/3000 P	2300	2300	3070	2300	30	3000	2550	315	2285	2260	625	-	11030,00	3176305P
SK 40/4000 P	2740	2740	3070	2740	40	4000	3750	315	2325	2300	625	-	11820,00	3176406P
SK 50/5000 P	2740	2740	3070	2740	50	5000	5554	315	2325	2300	625	-	11820,00	3176505P

AQUAFIX® - K2BP Coalescence separator with double bypass, rectangular version

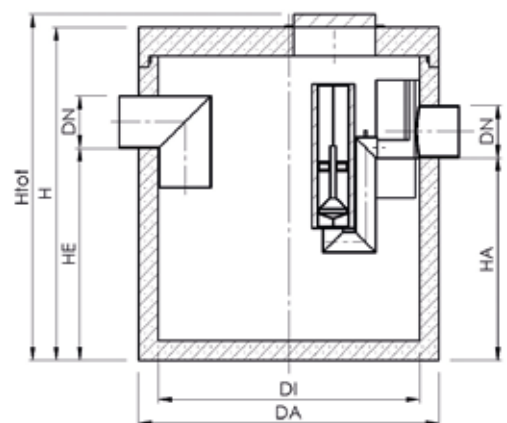
K2BP100 oder K2BP120



	Length mm	Width mm	Height mm	Ex- ternal dia- meter mm	Flow perfor- mance l/s	Sludge trap capa- city l	Sepa- rator capa- city l	DN/ OD in-/ outlet mm	HE inlet mm	H outlet mm	HA Man- hole 1 mm	H Man- hole 2 mm	Weight kg	Item No.
K2BP100	5660	2360	3100	-	1000	-	11600	1000	1450	1250	800	-	27840,00	3179100P
K2BP120	5660	2360	3300	-	1200	-	13800	1000	1700	1450	800	-	28980,00	3179120P

AQUAFIX® - SK2BP Coalescence separator with sludge trap and double bypass

SK2BP 15/1500



	Length mm	Width mm	Height mm	Ex- ternal dia- meter mm	Flow perfor- mance l/s	Sludge trap capa- city l	Sepa- rator capa- city l	DN/ OD in-/ outlet mm	HE inlet mm	H outlet mm	HA Man- hole 1 mm	H Man- hole 2 mm	Weight kg	Item No.
SK2BPI 10/1000 light	1500	1500	2535	1500	100	1000	688	315	1693	1643	1000	-	4720,00	3100101P
SK2BP 15/1500	2300	2300	2860	2300	150	2510	2520	400	1870	1750	625	-	10300,00	3175015P
SK2BP 20/2000	2740	2740	3000	2740	200	3310	4540	500	1905	1750	625	-	11580,00	3175020P

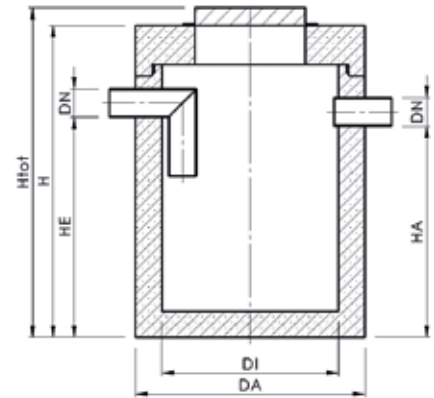
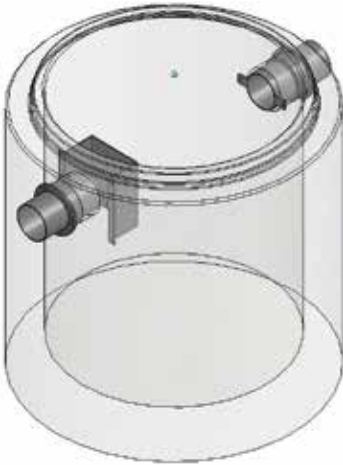
AQUAFIX® Separator made of concrete, series P

Grease Separator



AQUAFIX® - Sf Sludge trap for grease

Sf 0700/07 P



	Length mm	Width mm	Height mm	Ex- ternal dia- meter mm	Flow perfor- mance l/s	Sludge trap capa- city l	Sepa- rator capa- city l	DN/ OD in-/ outlet mm	HE inlet mm	H outlet mm	HA Man- hole 1 mm	DNE Man- hole 2 mm	Weight kg	Item No.
Sf 0700/07 P	1300	1300	1470	1300	-	400	-	160	840	815	625	-	2680,00	3107404P
Sf 0700/07 P	1300	1300	1720	1300	-	700	-	160	1090	1065	625	-	2950,00	3107073P
Sf 0800/04 P	1300	1300	1820	1300	-	800	-	160	1190	1165	625	-	2950,00	3107043P

AQUAFIX® Steel „G“

AQUAFIX® Steel „K“

AQUAFIX® concrete

AQUAFIX® „10 PE“

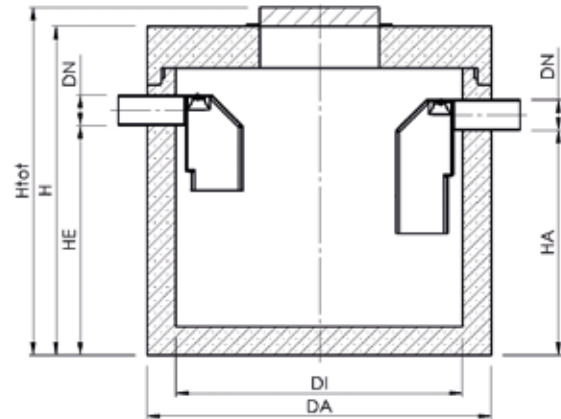
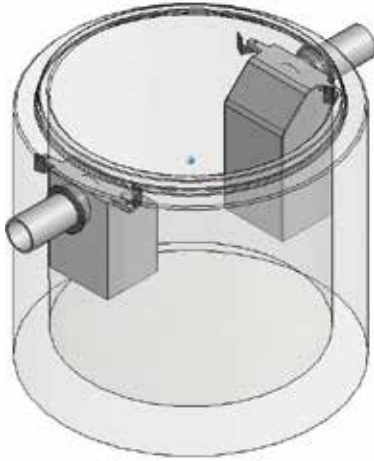
AQUAFIX® „PP“

Installation Instructions

AQUAFIX® Separator made of concrete, series P

AQUAFIX® - F Grease separator

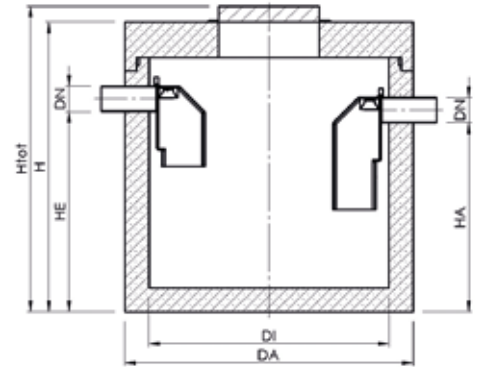
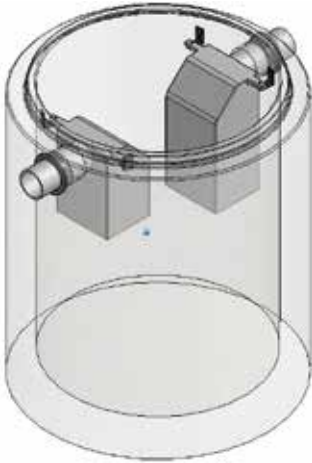
F 04 P



	Length mm	Width mm	Height mm	Ex- ternal dia- meter mm	Flow perfor- mance l/s	Sludge trap capa- city l	Sepa- rator capa- city l	DN/ OD in-/ outlet mm	HE inlet mm	H outlet mm	HA Man- hole 1 mm	DNE Man- hole 2 mm	Weight kg	Item No.
F 02 P	1300	1300	1500	1300	2	-	550	160	870	845	625	-	2480,00	3108020P
F 04 P	1500	1500	1670	1500	4	-	1000	160	1040	1015	625	-	3470,00	3108040P
F 07 P	1800	1800	1670	1800	7	-	1550	160	1040	1015	625	-	4540,00	3108070P
F 10 P	2300	2300	1710	2300	10	-	2900	160	1080	1055	625	-	7270,00	3108100P
F 15 P	2740	2740	1990	2740	20	-	5700	200	1320	1295	625	-	9250,00	3108150P

AQUAFIX® - SF Grease separator with sludge trap

SF 04/0400 P



	Length mm	Width mm	Height mm	Ex- ternal dia- meter mm	Flow perfor- mance l/s	Sludge trap capa- city l	Sepa- rator capa- city l	DN/ OD in-/ outlet mm	HE H inlet mm	HA H outlet mm	DNE Man- hole 1 mm	DNE Man- hole 2 mm	Weight kg	Item No.
SF 02/0200 P	1300	1300	1810	1300	2	200	600	160	1180	1155	625	-	2950,00	3178021P
SF 02/0400 P	1300	1300	2070	1300	2	400	600	160	1440	1415	625	-	3280,00	3178022P
SF 04/0400 P	1500	1500	2120	1500	4	400	1100	160	1490	1465	625	-	4040,00	3178042P
SF 04/0800 P	1500	1500	2380	1500	4	800	994	160	1750	1725	625	-	4510,00	3178043P
SF 04/0700 P	1800	1800	2320	1800	7	700	2000	160	1690	1665	625	-	5900,00	3178073P
SF 07/1400 P	1800	1800	2770	1800	7	1400	2050	160	2140	2115	625	-	6770,00	3178074P
SF 10/1000 P	2300	2300	2000	2300	10	1000	2800	160	1370	1345	625	-	7800,00	3178104P
SF 10/2000 P	2300	2300	2320	2300	10	2000	2800	160	1690	1665	625	-	8700,00	3178105P
SF 20/2000 P	2740	2740	2380	2740	20	2000	5600	200	1710	1685	625	-	10280,00	3178205P

AQUAFIX® Steel „G“

AQUAFIX® Steel „k“

AQUAFIX® concrete

AQUAFIX® „10 PE“

AQUAFIX® „PP“

Installation Instructions

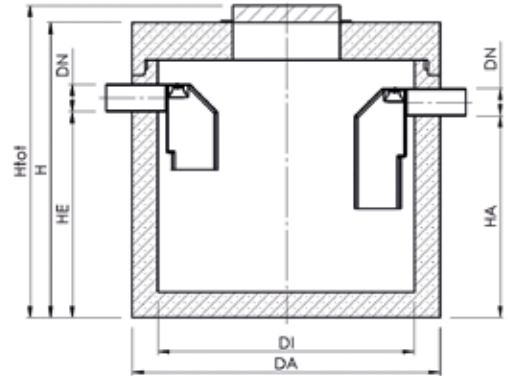
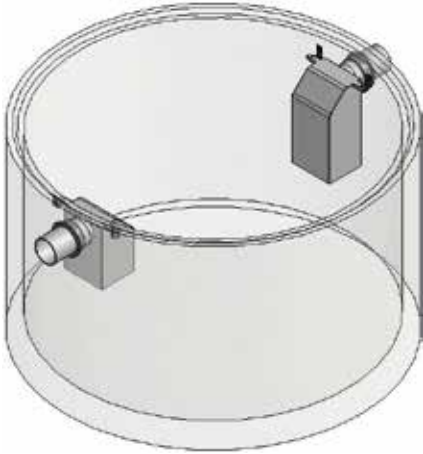
AQUAFIX® Separator made of concrete, series P

Starch Separator



AQUAFIX® - Sa Starch separator

SA 4,0 P



	Length mm	Width mm	Height mm	Ex- ternal dia- meter mm	Flow per- for- mance l/s	Sludge trap capa- city l	Sepa- ra- tor capa- city l	DN/ OD in-/ outlet mm	HE H inlet mm	HA H outlet mm	DNE Man- hole 1 mm	DNE Man- hole 2 mm	Weight kg	Item No.
SA 0,5 P	1300	1300	1500	1300	0.5	-	550	160	870	845	625	-	2480,00	3100000P
SA 1,0 P	1500	1500	1670	1500	1	-	1000	160	1040	1015	625	-	3470,00	3100010P
SA 2,0 P	1800	1800	1670	1800	2	-	1550	160	1040	1015	625	-	4540,00	3100020P
SA 3,0 P	2300	2300	1710	2300	3	-	2900	160	1080	1055	625	-	7270,00	3100030P
SA 4,0 P	2740	2740	1990	2740	4	-	5700	200	1320	1295	625	-	9250,00	3100040P
SA 6,0 P	2740	2740	1990	2740	6	-	5700	200	1320	1295	625	-	9250,00	3100060P

AQUAFIX® Steel „G“

AQUAFIX® Steel „K“

AQUAFIX® concrete

AQUAFIX® „10 PE“

AQUAFIX® „PP“

Installation Instructions

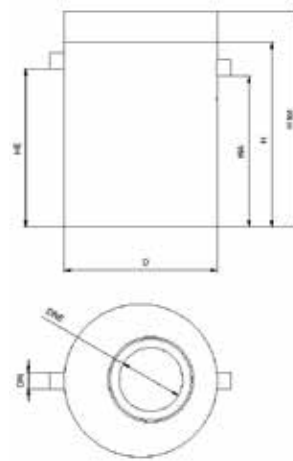
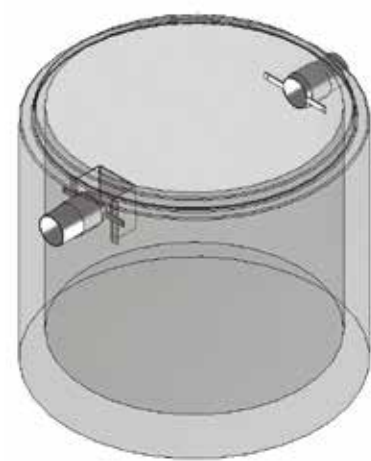
AQUAFIX® Separator made of concrete, **series H**

The following
are products
from Hungary -
series H



AQUAFIX® - S Sludge trap

S 10/02500 H



	Length mm	Width mm	Height mm	Ex- ternal dia- meter mm	Flow perfor- mance l/s	Sludge trap capa- city l	Sepa- rator capa- city l	DN/ OD in-/ outlet mm	HE H inlet mm	HA H outlet mm	DNE Man- hole 1 mm	DNE Man- hole 2 mm	Weight kg	Item No.
S 10/02500 H	1740	1740	1920	1740	-	2500	-	160	1650	1625	800	-	3607,00	101105H
S 20/02500 H	1740	1740	1920	1740	-	2500	-	200	1600	1575	800	-	3596,00	101205H
S 30/4000 H	2240	2240	2230	2240	-	4000	-	250	1675	1650	800	-	4767,00	101306H
S 40/4000 H	2240	2240	2230	2240	-	4000	-	250	1650	1625	800	-	4767,00	101406H
S 40/8000H	2240	2240	2980	2240	-	8000	-	250	2430	2405	800	-	6163,00	101409H
S 50/06500 H	2800	2800	2250	2800	-	6500	-	315	1565	1515	1000	-	10200,00	101508H

AQUAFIX® Steel „G“

AQUAFIX® Steel „k“

AQUAFIX® concrete

AQUAFIX® „10 PE“

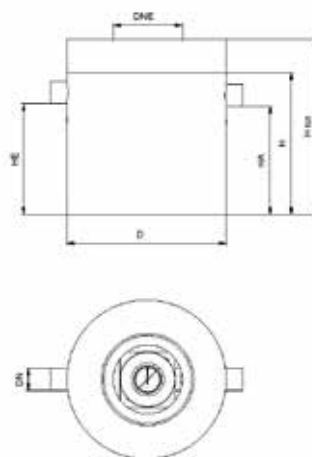
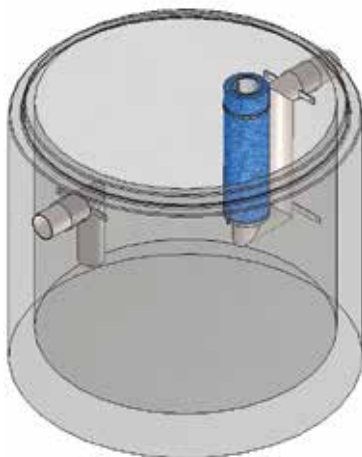
AQUAFIX® „PP“

Installation Instructions

AQUAFIX® Separator made of concrete, series H

AQUAFIX® - K Coalescence separator

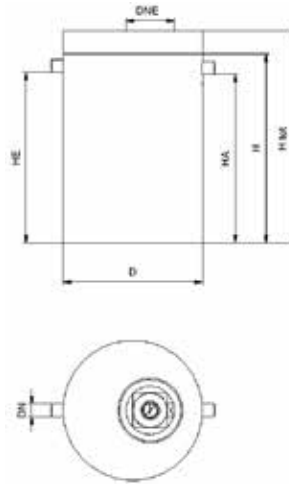
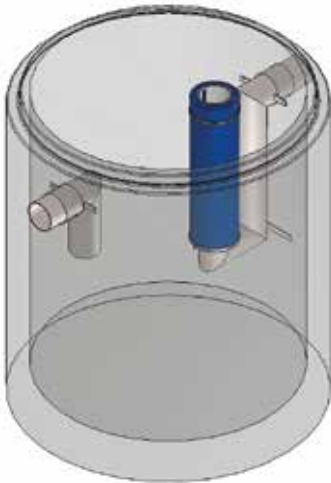
K 10 H



	Length mm	Width mm	Height mm	Ex- ternal dia- meter mm	Flow perfor- mance l/s	Sludge trap capa- city l	Sepa- rator capa- city l	DN/ OD in-/ outlet mm	HE H inlet mm	HA H outlet mm	DNE Man- hole 1 mm	DNE Man- hole 2 mm	Weight kg	Item No.
K 10 H	1240	1240	1120	1240	10	-	518	160	900	875	800	-	1515,00	103100H
K 20 H	1740	1740	1320	1740	20	-	1439	200	1000	975	800	-	2726,00	103200H
K 040 H	2240	2240	2975	2240	40	-	7160	250	2430	2405	800	-	8560,00	103400H
K 050 H	2800	2800	2250	2800	50	-	6730	315	1565	1515	1000	-	10626,00	103500H
K 060 H	2800	2800	2750	2800	60	-	9190	315	2065	2015	1000	-	12091,00	103600H

AQUAFIX® - SK Coalescence separator with sludge trap

SK 04/0650 H

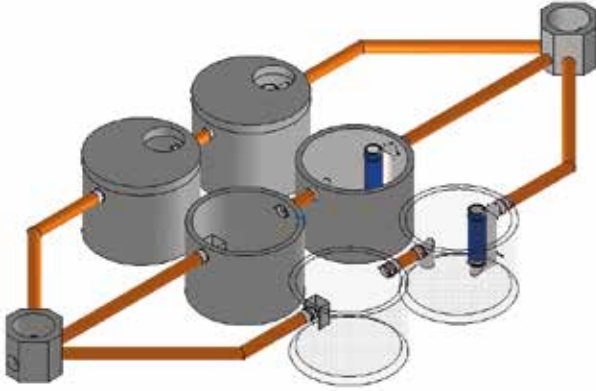


	Length mm	Width mm	Height mm	Ex- ternal dia- meter mm	Flow perfor- mance l/s	Sludge trap capa- city l	Sepa- rator capa- city l	DN/ OD in-/ outlet mm	HE H inlet mm	HA H outlet mm	DNE Man- hole 1 mm	DNE Man- hole 2 mm	Weight kg	Item No.
SK 04/0650 H	1240	1240	1970	1300	4	650	575	110	1750	1725	800	-	2410,00	176043H
SK 10/2500 H	1740	1740	2470	1740	10	2385	1166	160	2200	2175	800	-	4479,00	176105H
SK 06/0600 H	1740	1740	1795	1740	6	786	1237	160	1400	1375	800	-	3860,00	176063H
SK 15/1500 H	1740	1740	2295	1740	15	1677	1237	200	1925	1900	800	-	4582,00	176154H
SK 20/2000 H	2240	2240	2425	2240	20	2000	3219	200	1875	1850	800	-	6900,00	176203H
SK 20/4000 H	2240	2240	2975	2240	20	4000	3219	200	2425	2400	800	-	8020,00	176204H
SK 25/2500 H	2240	2240	2975	2240	25	3000	4219	200	2425	2400	800	-	8020,00	176253H
SK 30/3000 H	2240	2240	2975	2240	30	3000	4160	250	2430	2405	800	800	8020,00	176305H
SK 40/4000 H	2800	2800	2750	2800	40	4000	5890	250	2150	2100	1000	-	12100,00	176405H
SK 050/03000 H	2800	2800	2750	2800	50	3000	6150	315	2065	2015	1000	-	12812,00	176504H

AQUAFIX® Separator made of concrete, series H

AQUAFIX® - SK Coalescence separator with sludge trap (more tanks S-K) H

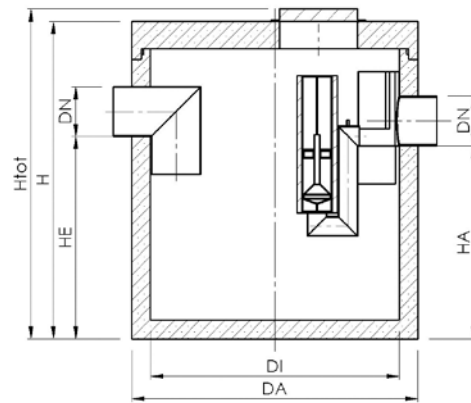
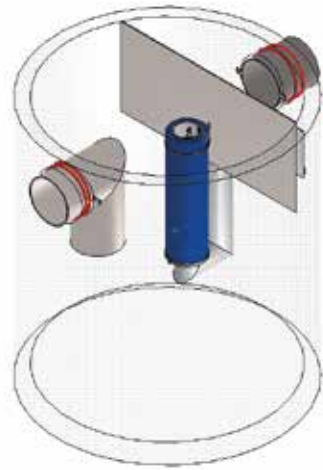
SK 150/15000 H



	Length mm	Width mm	Height mm	Ex- ternal dia- meter mm	Flow perfor- mance l/s	Sludge trap capa- city l	Separa- tor capa- city l	DN/ OD in-/ outlet mm	HE H inlet mm	HA H outlet mm	DNE Man- hole 1 mm	DNE Man- hole 2 mm	Weight kg	Item No.
SK 040/04000 H	8500	5100	2425	2240	40	4000	6438	200	1875	1850	800	800	17500,00	176406H
SK 040/08000 H	8500	5100	2975	2240	40	8000	6438	200	2425	2400	800	800	19600,00	176408H
SK 050/05000 H	8500	5100	2975	2240	50	5000	8438	200	2425	2400	800	800	19600,00	176507H
SK 060/06000 H	8500	5100	2975	2000	60	6000	8320	250	2430	2405	800	800	19600,00	176608H
SK 075/07500 H	11000	7200	2425	2000	75	7500	12657	200	1875	1850	800	800	26800,00	176758H
SK 080/08000 H	12000	5100	2975	2000	80	8000	14320	250	1650	2405	800	800	32700,00	176809H
SK 090/09000 H	11000	7200	2975	2000	90	9000	12480	250	2430	2405	800	800	27600,00	176908H
SK 100/10000 H	14000	6400	2250	2800	100	13000	13460	315	1650	1515	1000	1000	28826,00	176111H
SK 120/12000 H	14000	7200	2975	2240	120	12000	21480	250	1650	2405	800	800	47300,00	176121H
SK 120/13000 H	14000	6400	2750	2800	120	13000	18380	315	1650	2015	1000	1000	22291,00	176122H
SK 150/15000 H	14000	6400	2250	2800	150	19500	20190	315	1650	1515	1000	1000	62478,00	176161H
SK 180/18000 H	14000	10000	2750	2800	180	19500	27570	315	1650	2015	1000	1000	66873,00	176181H

AQUAFIX® - SK2BP Coalescence separator with sludge trap and double bypass

SK2BP 10/3000



	Length mm	Width mm	Height mm	Ex- ternal dia- meter mm	Flow perfor- mance l/s	Sludge trap capa- city l	Sepa- rator capa- city l	DN/ OD in-/ outlet mm	HE H inlet mm	HA H outlet mm	DNE Man- hole 1 mm	DNE Man- hole 2 mm	Weight kg	Item No.
SK2BP 10/3000	2240	2240	2750	2240	100	3000	2570	400	1973	1923	1000	-	7733,00	175010H
SK2BP 15/3000	2800	2800	2750	2800	150	3000	5210	500	1873	1823	1000	-	12015,00	175015H
SK2BP 20/2000	2800	2800	2750	2800	200	2000	6210	500	1873	1823	1000	-	12015,00	175020H

AQUAFIX® Steel „G“

AQUAFIX® Steel „K“

AQUAFIX® concrete

AQUAFIX® „10 PE“

AQUAFIX® „PP“

Installation Instructions

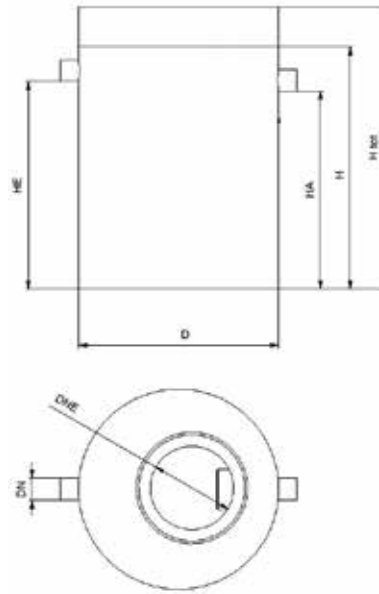
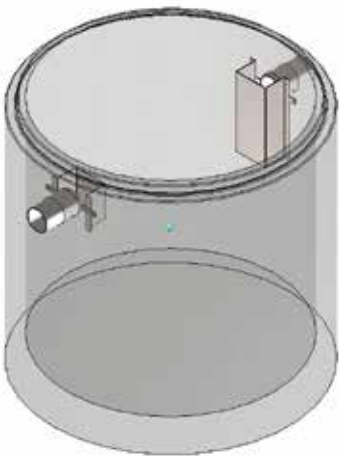
AQUAFIX® Separator made of concrete, series H

Grease Separator



AQUAFIX® - SF Grease separator with sludge trap

SF 04/0400 H



	Length mm	Width mm	Height mm	Ex- ternal dia- meter mm	Flow perfor- mance l/s	Sludge trap capa- city l	Sepa- rator capa- city l	DN/ OD in-/ outlet mm	HE H inlet mm	HA H outlet mm	DNE Man- hole 1 mm	DNE Man- hole 2 mm	Weight kg	Item No.
SF 04/0400 H	1240	1240	1570	1240	4	400	418	160	1220	1170	800	-	1968,00	178042H
SF 10/1000 H	1740	1740	1770	1740	10	1000	1766	160	1420	1370	800	-	3388,00	178104H

AQUAFIX® Steel „G“

AQUAFIX® Steel „K“

AQUAFIX® concrete

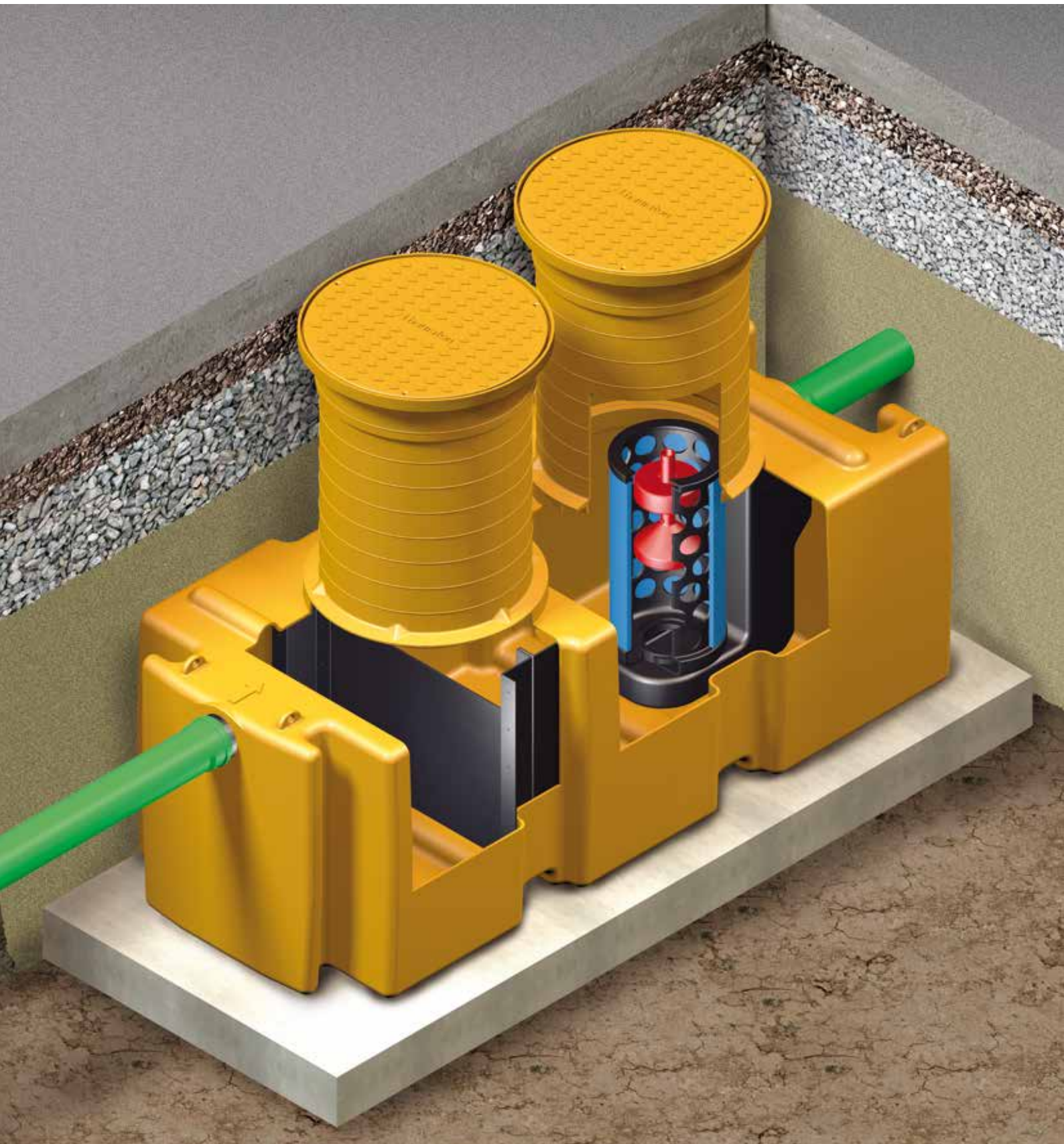
AQUAFIX® „10 PE“

AQUAFIX® „PP“

Installation Instructions

AQUAFIX® Separators

Series „10 PE“ made of polyethylene
Light solutions for strong requirements.





At a glance:

- ✓ 10 mm wall thickness for highest security
- ✓ optimised construction after FE-analysis
- ✓ pure, high quality raw material is used in the optimised production process

AQUAFIX® Separators

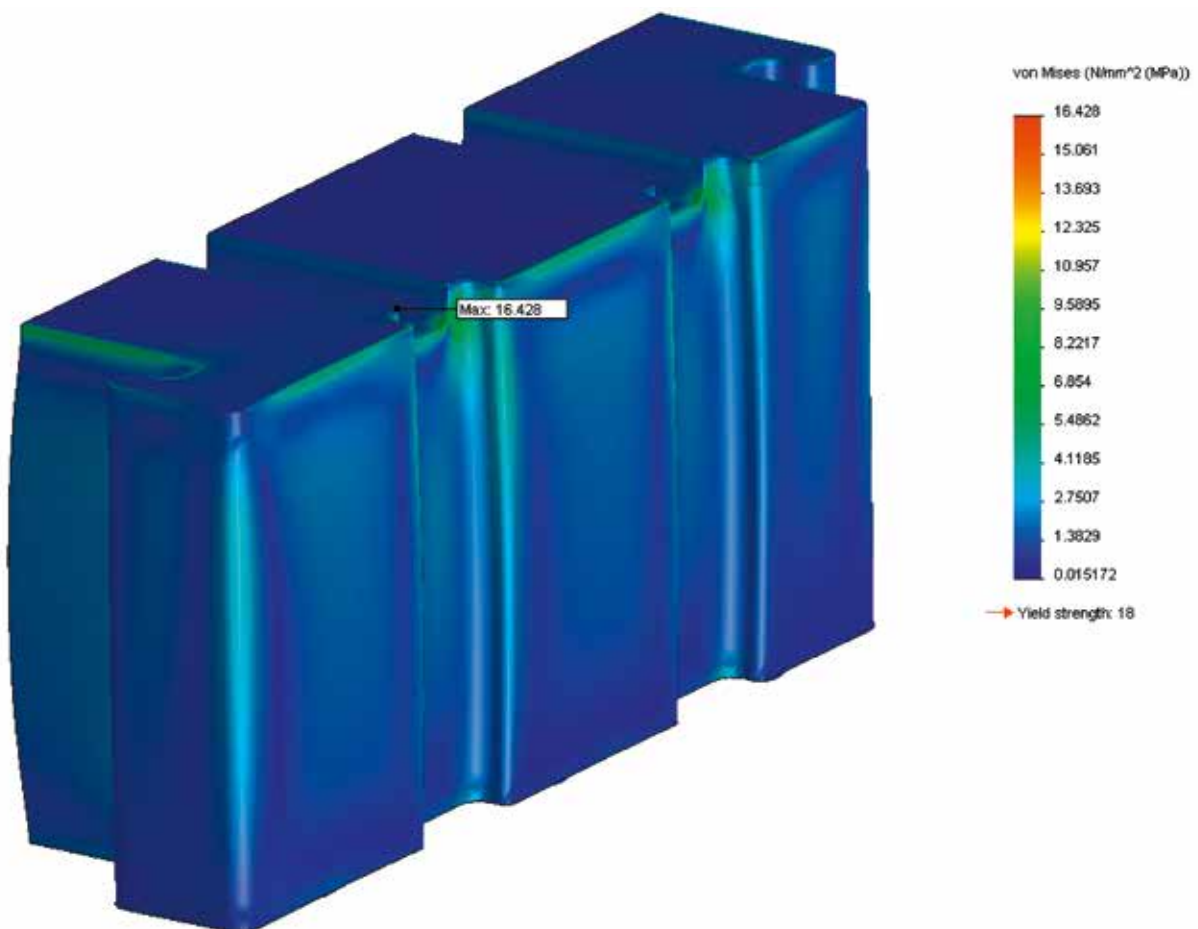
Series „10 PE“ made of polyethylene
Light solutions for strong requirements.

Features

- 10 mm wall thickness
- stop rings to handle
- computer aided design
- according to standards EN 858 or EN 1825
- wide openings
- for light liquid separators:
 - automatic closing device easy to remove
 - coalescence cell easy to remove
 - sample taking device can be integrated

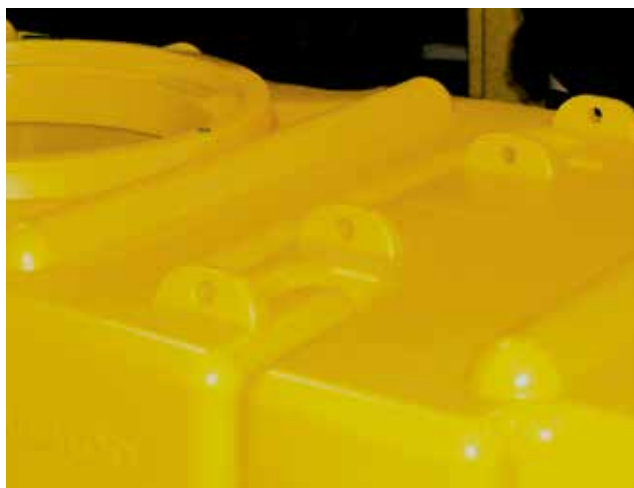
Extensions

Extension pipes in every length can be supplied.
Covers in class A or D available.



The construction of AQUAFIX 10 PE separators was done according to detailed FE analysis. The combination of high

quality material, optimised production process and at least 10 mm wall thickness guarantees highest stability.



Installation Instructions

AQUAFIX® „PP“

AQUAFIX® „10 PE“

AQUAFIX® concrete

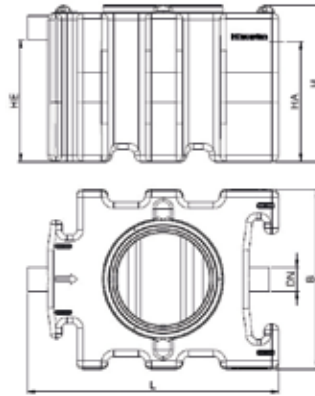
AQUAFIX® Steel „k“

AQUAFIX® Steel „G“

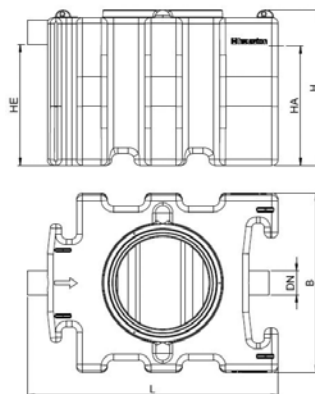
AQUAFIX® Separator made of PE, series P

AQUAFIX® - SPE Sludge trap

SPE 0800/0160

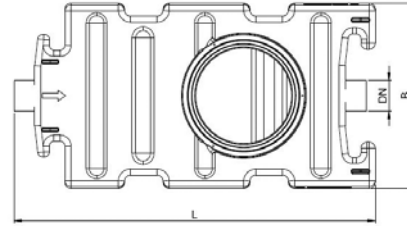
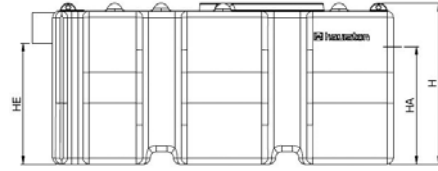


SPE 1000/0160

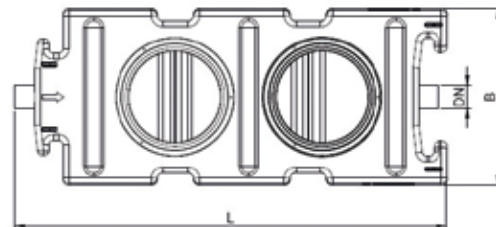
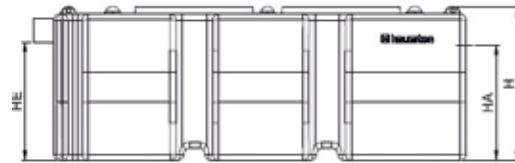


	Length mm	Width mm	Height mm	External diameter mm	Flow performance l/s
SPE 0800/0160	1675	1200	1040	-	-
SPE 1000/0160	1675	1200	1040	-	-
SPE 1500/0200	2335	1200	1040	-	-
SPE 2000/0200	2935	1200	1040	-	-

SPE 1500/0200



SPE 2000/0200



Sludge trap capacity l	Separator capacity l	DN/OD in-/outlet mm	HE H inlet mm	HA H outlet mm	DNE Manhole 1 mm	DNE Manhole 2 mm	Weight kg	Item No.
1224	-	160	810	800	700	-	92,00	384308
1224	-	160	810	800	700	-	92,00	384310
1717	-	200	780	760	700	-	122,00	384315
2250	-	200	760	740	700	700	145,00	384320

AQUAFIX® Steel „G“

AQUAFIX® Steel „k“

AQUAFIX® concrete

AQUAFIX® „10 PE“

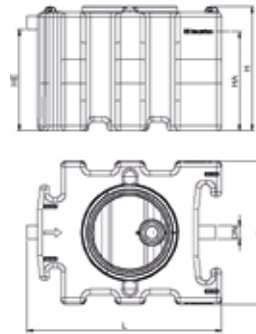
AQUAFIX® „PP“

Installation Instructions

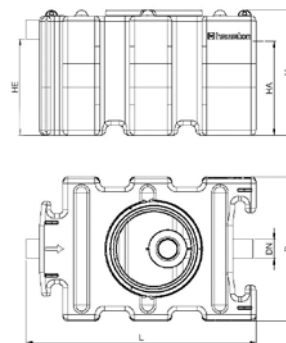
AQUAFIX® Separator made of PE, series P

AQUAFIX® - KPE Coalescence separator

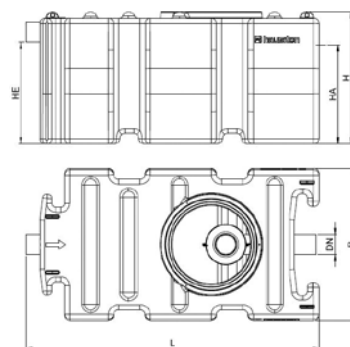
KPE 03



KPE 06

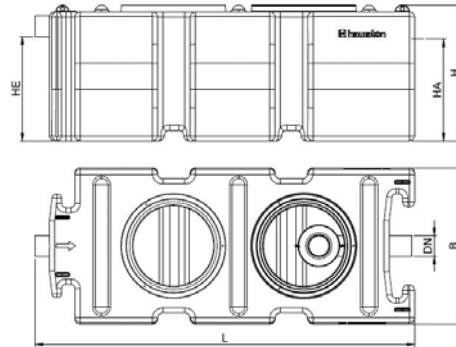


KPE 08

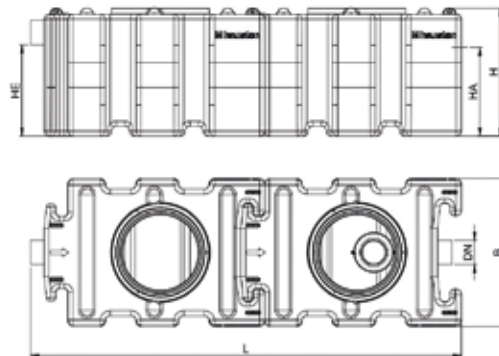


	Length mm	Width mm	Height mm	External diameter mm	Flow performance l/s
KPE 03	1635	1200	1040	-	3
KPE 06	1810	1200	1040	-	6
KPE 08	2310	1200	1040	-	8
KPE 10	2910	1200	1040	-	10
KPE 15	3515	1200	1040	-	15

KPE 10



KPE 15



Sludge trap capacity l	Separator capacity l	DN/OD in-/outlet mm	HE H inlet mm	HA H outlet mm	DNE Manhole 1 mm	DNE Manhole 2 mm	Weight kg	Item No.
-	1270	110	850	830	700	-	107,00	383503
-	1435	160	800	780	700	-	149,00	383506
-	1810	160	800	780	700	-	167,00	383508
-	2371	160	800	780	700	700	182,00	383510
-	2650	200	740	720	700	700	241,00	383515

AQUAFIX® Steel „G“

AQUAFIX® Steel „K“

AQUAFIX® concrete

AQUAFIX® „10 PE“

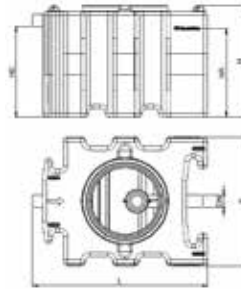
AQUAFIX® „PP“

Installation Instructions

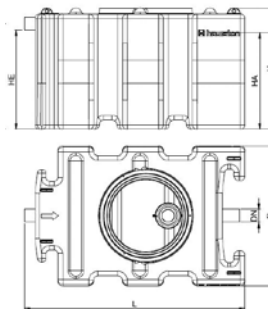
AQUAFIX® Separator made of PE, series P

AQUAFIX® - SKPE Coalescence separator with sludge trap

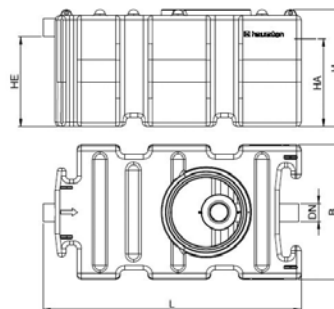
SKPE 01,5/0150



SKPE 03/0300

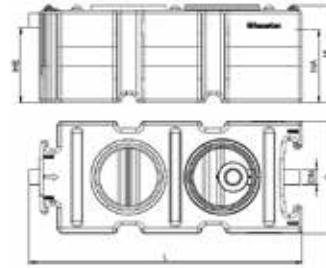


SKPE 06/0600

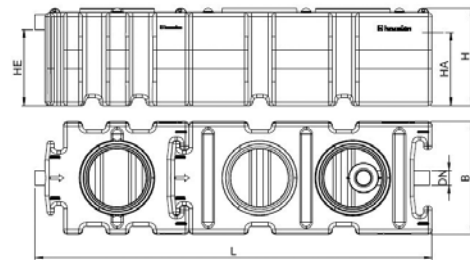


	Length mm	Width mm	Height mm	External diameter mm	Flow performance l/s
SKPE 01,5/0150	1635	1200	1040	-	1
SKPE 03/0300	1895	1200	1040	-	3
SKPE 06/0600	2310	1200	1040	-	6
SKPE 08/0800	2910	1200	1040	-	8
SKPE 10/1000	4255	1200	1040	-	10
SKPE 15/1500	4915	1200	1040	-	15

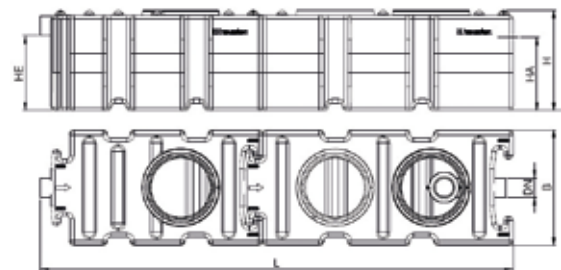
SKPE 08/0800



SKPE 10/1000



SKPE 15/1500



Sludge trap capacity l	Separator capacity l	DN/OD in-/outlet mm	HE H inlet mm	HA H outlet mm	DNE Manhole 1 mm	DNE Manhole 2 mm	Weight kg	Item No.
150	1120	110	850	830	700	-	116,00	384001
300	1227	110	850	830	700	-	128,00	384003
600	1210	160	800	780	700	-	176,00	384006
800	1571	160	800	780	700	700	188,00	384008
1000	2565	160	810	780	700	700	280,00	384010
1500	2359	200	780	760	700	700	301,00	384015

AQUAFIX® Steel „G“

AQUAFIX® Steel „K“

AQUAFIX® concrete

AQUAFIX® „10 PE“

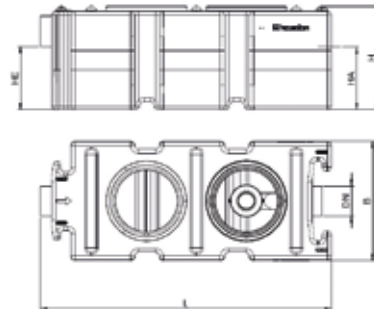
AQUAFIX® „PP“

Installation Instructions

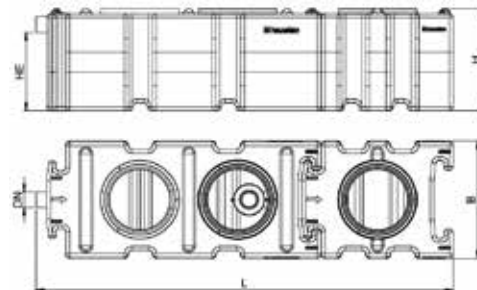
AQUAFIX® Separator made of PE, series P

AQUAFIX® - SKBPPE Coalescence separator with sludge trap and bypass

SKBPPE 06/0600

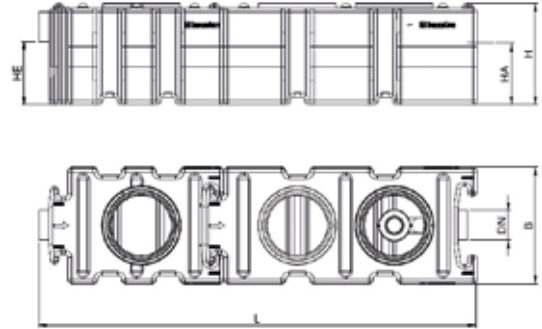
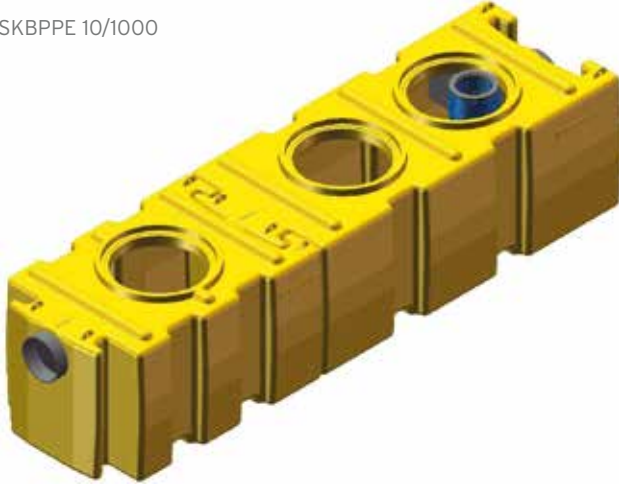


SKBPPE 08/0800



	Length mm	Width mm	Height mm	External diameter mm	Flow performance l/s
SKBPPE 06/0600	2910	1200	1040	-	30
SKBPPE 08/0800	4255	1200	1040	-	40
SKBPPE 10/1000	4505	1200	1040	-	50

SKBPPE 10/1000



Sludge trap capacity l	Separator capacity l	DN/OD in-/outlet mm	HE H inlet mm	HA H outlet mm	DNE Manhole 1 mm	DNE Manhole 2 mm	Weight kg	Item No.
600	1315	315	640	630	700	700	203,00	383606
800	2079	315	650	630	700	700	285,00	383608
1000	2074	315	650	630	700	700	297,00	383610

AQUAFIX® Steel „G“

AQUAFIX® Steel „K“

AQUAFIX® concrete

AQUAFIX® „10 PE“

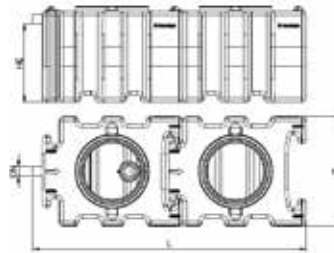
AQUAFIX® „PP“

Installation Instructions

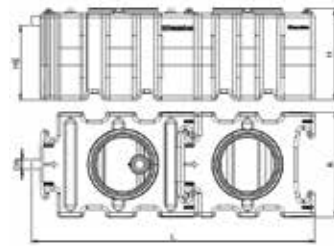
AQUAFIX® Separator made of PE, series P

AQUAFIX® - SKmPPE Coalescence separator with sludge trap and pump chamber

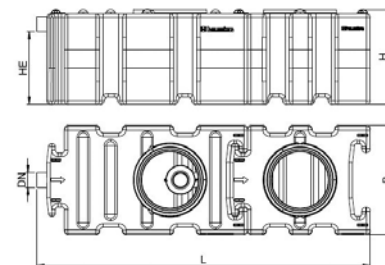
SKmPPE 01,5/0150



SKmPPE 03/0300

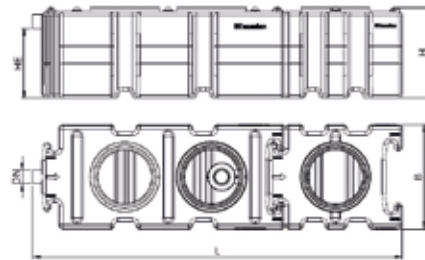


SKmPPE 06/0600

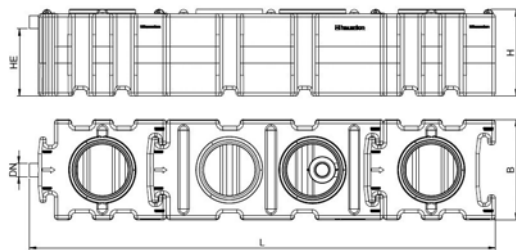


	Length mm	Width mm	Height mm	External diameter mm	Flow performance l/s
SKmPPE 01,5/0150	2980	1200	1040	-	1
SKmPPE 03/0300	3240	1200	1040	-	3
SKmPPE 06/0600	3655	1200	1040	-	6
SKmPPE 08/0800	4255	1200	1040	-	8
SKmPPE 10/1000	5600	1200	1040	-	10
SKmPPE 15/1500	6260	1200	1040	-	15

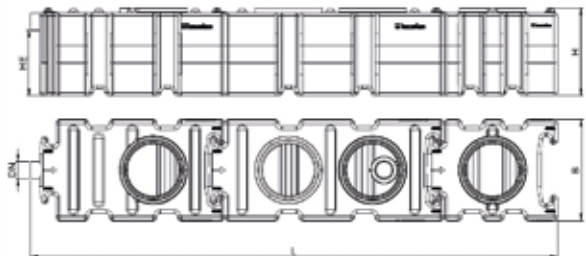
SKmPPE 08/0800



SKmPPE 10/1000



SKmPPE 15/1500



Sludge trap capacity l	Separator capacity l	DN/OD in-/outlet mm	HE H inlet mm	HA H outlet mm	DNE Manhole 1 mm	DNE Manhole 2 mm	Weight kg	Item No.
150	1120	110	850	830	700	700	205,00	384401
300	1227	110	850	830	700	700	217,00	384403
600	1210	160	800	780	700	700	265,00	384406
800	1571	160	800	780	700	700	287,00	384408
1000	2565	160	810	780	700	700	369,00	384410
1500	2359	200	780	750	700	700	390,00	384415

AQUAFIX® Steel „G“

AQUAFIX® Steel „K“

AQUAFIX® concrete

AQUAFIX® „10 PE“

AQUAFIX® „PP“

Installation Instructions

AQUAFIX® Separator made of PE, series P

Grease Separator



AQUAFIX® Steel „G“

AQUAFIX® Steel „K“

AQUAFIX® concrete

AQUAFIX® „10 PE“

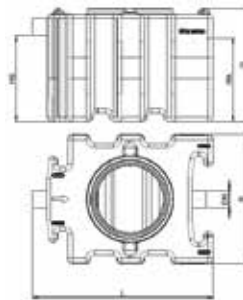
AQUAFIX® „PP“

Installation Instructions

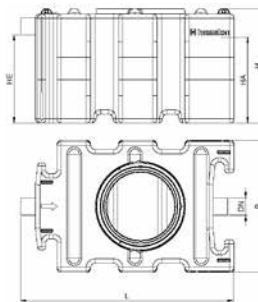
AQUAFIX® Separator made of PE, series P

AQUAFIX® - FPE Grease separator

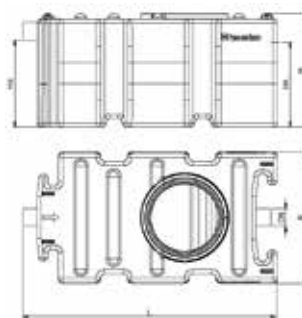
FPE 02



FPE 04

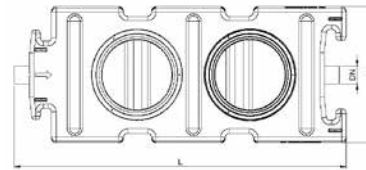
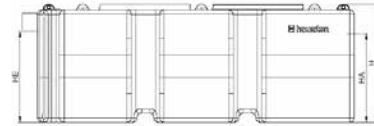
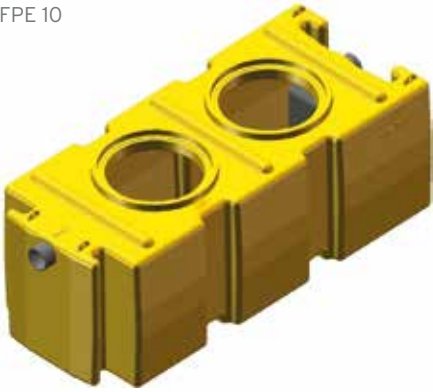


FPE 07

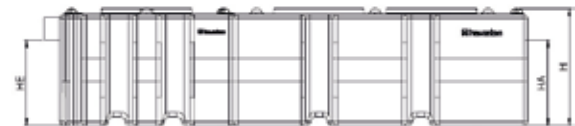


	Length mm	Width mm	Height mm	External diameter mm	Flow performance l/s
FPE 02	1675	1200	1040	-	2
FPE 04	1925	1200	1040	-	4
FPE 07	2324	1200	1040	-	7
FPE 10	2935	1200	1040	-	10
FPE 15	4280	1200	1040	-	15

FPE 10



FPE 15



Sludge trap capacity l	Separator capacity l	DN/OD in-/outlet mm	HE H inlet mm	HA H outlet mm	DNE Manhole 1 mm	DNE Manhole 2 mm	Weight kg	Item No.
-	1178	160	790	770	700	-	95,00	385002
-	1435	160	800	780	700	-	107,00	385004
-	1810	160	800	780	700	700	124,00	385007
-	2371	160	800	780	700	700	141,00	385010
-	3382	200	760	740	700	700	238,00	385015

AQUAFIX® Steel „G“

AQUAFIX® Steel „K“

AQUAFIX® concrete

AQUAFIX® „10 PE“

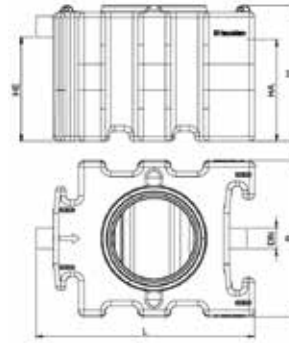
AQUAFIX® „PP“

Installation Instructions

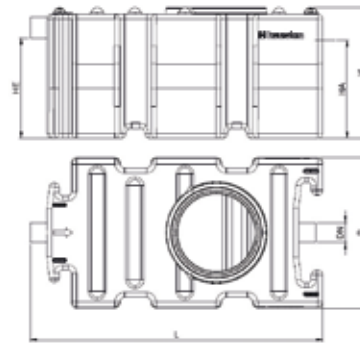
AQUAFIX® Separator made of PE, series P

AQUAFIX® - SFPE Grease separator with sludge trap

SFPE 02/0200

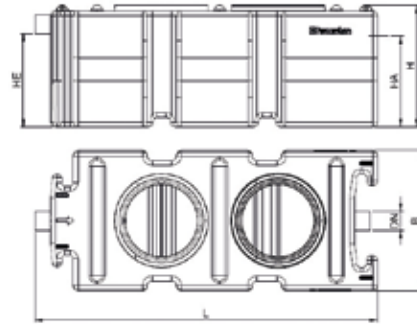


SFPE 04/0400

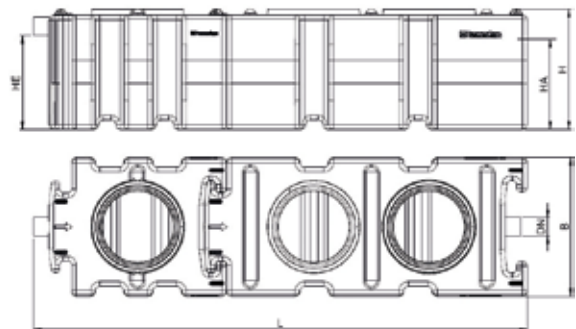


	Length mm	Width mm	Height mm	External diameter mm	Flow performance l/s
SFPE 02/0200	1675	1200	1040	-	2
SFPE 04/0400	2335	1200	1040	-	4
SFPE 07/0700	2935	1200	1040	-	7
SFPE 10/1000	4280	1200	1040	-	10

SFPE 07/0700



SFPE 10/1000



Sludge trap capacity l	Separator capacity l	DN/OD in-/outlet mm	HE H inlet mm	HA H outlet mm	DNE Manhole 1 mm	DNE Manhole 2 mm	Weight kg	Item No.
200	993	160	800	780	700	-	103,00	385302
400	1210	160	800	780	700	700	134,00	385304
700	1671	160	800	780	700	700	156,00	385307
1000	2565	160	810	780	700	700	238,00	385310

AQUAFIX® Steel „G“

AQUAFIX® Steel „k“

AQUAFIX® concrete

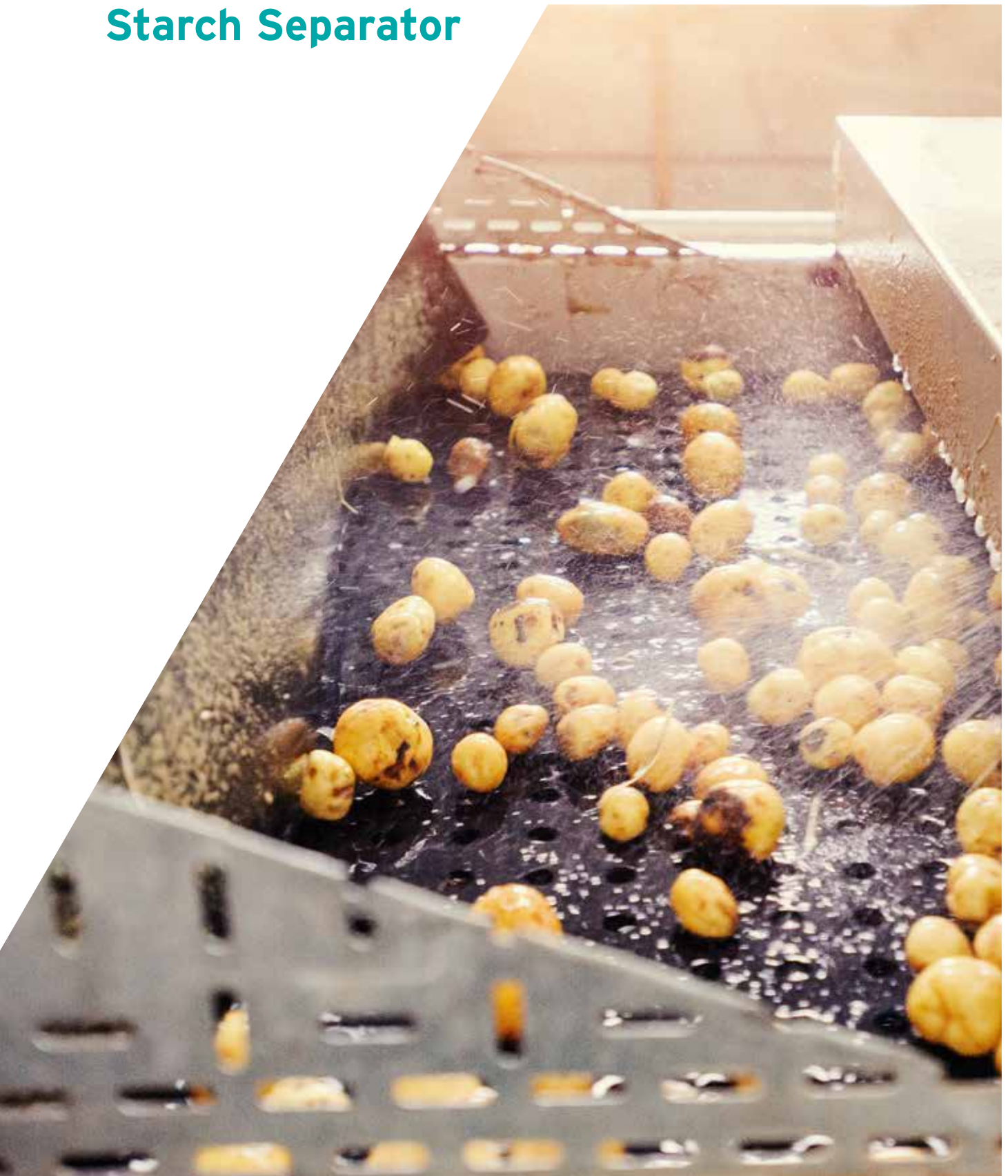
AQUAFIX® „10 PE“

AQUAFIX® „PP“

Installation Instructions

AQUAFIX[®] Separator made of PE, series P

Starch Separator



AQUAFIX® Steel „G“

AQUAFIX® Steel „K“

AQUAFIX® concrete

AQUAFIX® „10 PE“

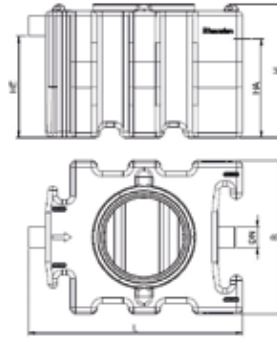
AQUAFIX® „PP“

Installation Instructions

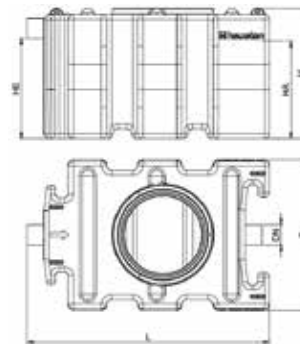
AQUAFIX® Separator made of PE, series P

AQUAFIX® - SaPE Starch separator

SaPE 01

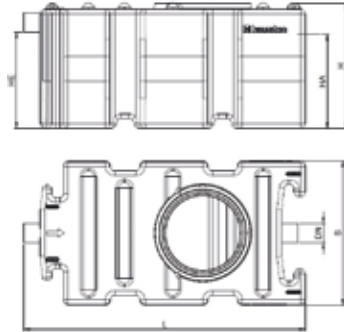


SaPE 02

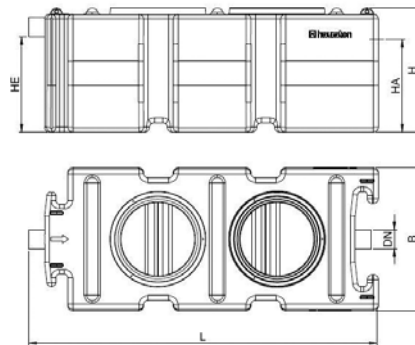


	Length mm	Width mm	Height mm	External diameter mm	Flow performance l/s
SaPE 01	1675	1200	1040	-	1
SaPE 02	1935	1200	1040	-	2
SaPE 03	2335	1200	1040	-	3
SaPE 04	2935	1200	1040	-	4

SaPE 03



SaPE 04



Sludge trap capacity l	Separator capacity l	DN/OD in-/outlet mm	HE H inlet mm	HA H outlet mm	DNE Manhole 1 mm	DNE Manhole 2 mm	Weight kg	Item No.
-	1178	160	790	770	700	-	93,00	386201
-	1435	160	800	780	700	-	102,00	386202
-	1810	160	800	780	700	-	124,00	386203
-	2371	160	800	780	700	700	145,00	386204

AQUAFIX® Steel „G“

AQUAFIX® Steel „k“

AQUAFIX® concrete

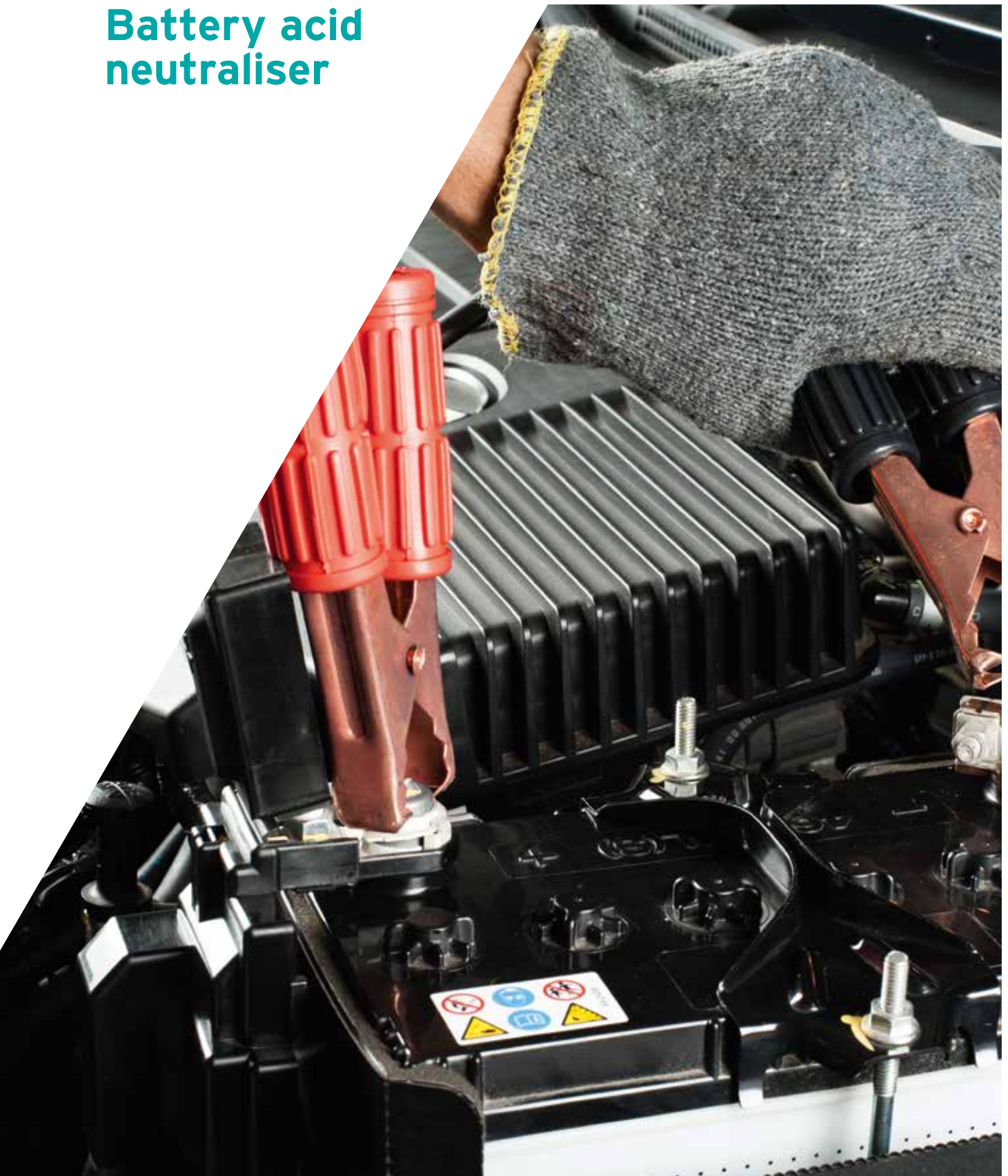
AQUAFIX® „10 PE“

AQUAFIX® „PP“

Installation Instructions

AQUAFIX® Separator made of PE, series P

Battery acid neutraliser



AQUAFIX® Steel „G“

AQUAFIX® Steel „K“

AQUAFIX® concrete

AQUAFIX® „10 PE“

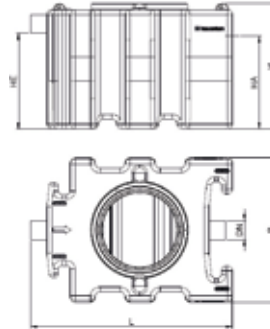
AQUAFIX® „PP“

Installation Instructions

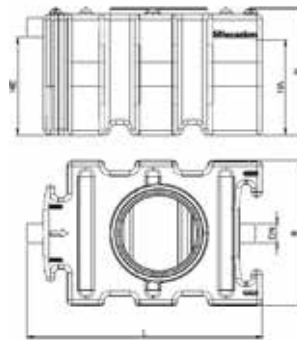
AQUAFIX® Separator made of PE, series P

AQUAFIX® - NPE Battery acid neutraliser

NPE 03

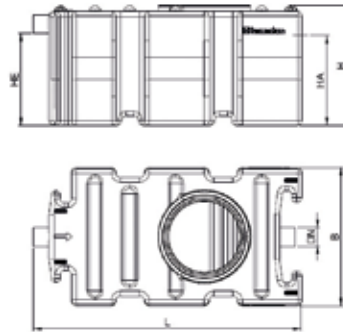


NPE 04

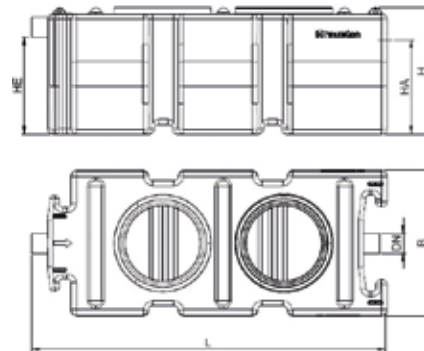


	Length mm	Width mm	Height mm	External diameter mm	Flow performance l/s
NPE 03	1675	1200	1040	-	3
NPE 04	1935	1200	1040	-	4
NPE 05	2325	1200	1040	-	5
NPE 06	2925	1200	1040	-	6

NPE 05



NPE 06



Sludge trap capacity l	Separator capacity l	DN/OD in-/outlet mm	HE H inlet mm	HA H outlet mm	DNE Manhole 1 mm	DNE Manhole 2 mm	Weight kg	Item No.
-	1193	160	790	770	700	-	457,00	386903
-	1435	160	800	780	700	-	539,00	386904
-	1810	160	800	780	700	-	697,00	386905
-	2371	160	800	780	700	700	790,00	386906

AQUAFIX® Steel „G“

AQUAFIX® Steel „k“

AQUAFIX® concrete

AQUAFIX® „10 PE“

AQUAFIX® „PP“

Installation Instructions

Accessories for separators made of PE, series P

AQUAFIX® - Covers



Cover for multi-functional shaft,
PE, cl. B 125

	Length mm	Width mm	Height mm	Weight kg	Item No.
Cover for multi-functional shaft, PE, cl. B 125	800	800	35	13,00	386006

AQUAFIX® - Extension parts



Shaft extension PE,
max. height 1000 mm

	Length mm	Width mm	Height mm	Weight kg	Item No.
Frame for shaft cover PE, height 110 mm	840	840	152	10,00	386012
Shaft extension PE, max. height 1000 mm	840	840	1030	24,00	386011

AQUAFIX® Steel „G“

AQUAFIX® Steel „K“

AQUAFIX® concrete

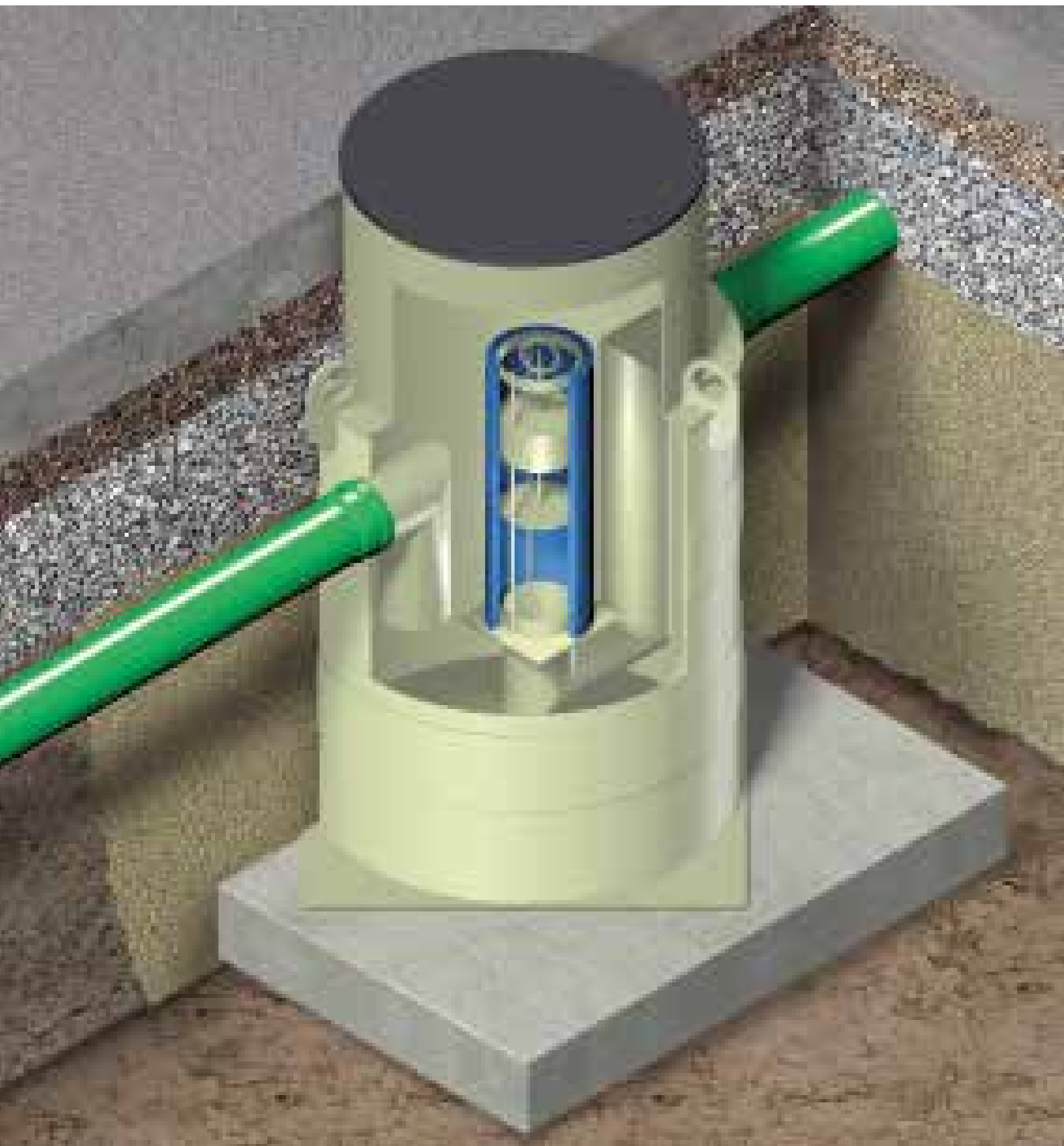
AQUAFIX® „10 PE“

AQUAFIX® „PP“

Installation Instructions

AQUAFIX® Separators

Series „PP“ made of polypropylene
One system for all cases.





At a glance:

- ✓ 6 to 12 mm wall thickness
- ✓ light → installation on site is possible without crane
- ✓ high stability (self standing construction)

AQUAFIX® Separators

Series „PP“ made of polypropylene

One system for all cases.

Features

- 6 to 12 mm wall thickness
- stop rings to handle in horizontal and vertical position
- buoyancy protection
- according to standards EN 858 or EN 1825
- wide openings
- for light liquid separators:
 - automatic closing device easy to remove
 - coalescence cell easy to remove
- sample taking device can be integrated

Extensions

Extension 500 mm included, adjustment rings 500 mm can be supplied. Covers in class A or D available.



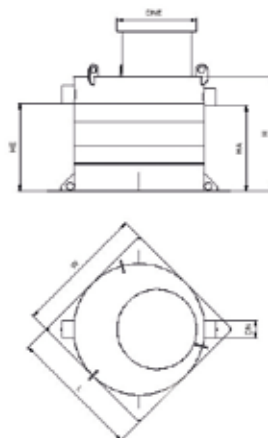
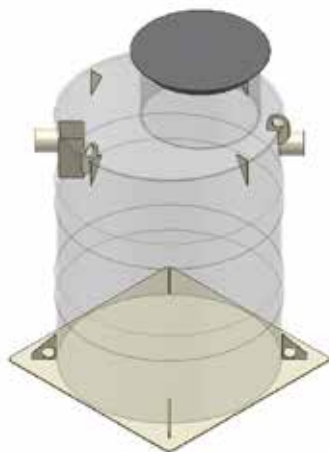


	AQUAFIX® Steel „G“
	AQUAFIX® Steel „K“
	AQUAFIX® concrete
AQUAFIX® „10 PE“	AQUAFIX® „PP“
Installation Instructions	

AQUAFIX® Separator made of PP, series H

AQUAFIX® - SPP Sludge trap

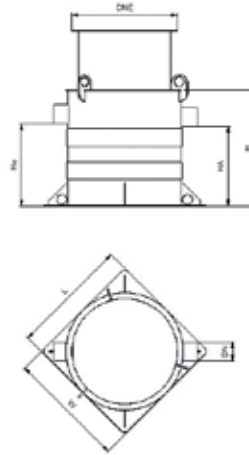
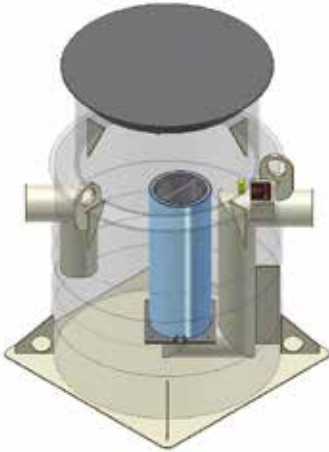
SPP 0600/06



	Length mm	Width mm	Height mm	Ex- ternal dia- meter mm	Flow perfor- mance l/s	Sludge trap capa- city l	Sepa- rator capa- city l	DN/ OD in-/ outlet mm	HE H inlet mm	HA H outlet mm	DNE Man- hole 1 mm	DNE Man- hole 2 mm	Weight kg	Item No.
SPP 0600/06	1000	1000	1675	950	-	607	-	160	881	856	800	-	54,00	284306
SPP 1000/10	1240	1240	1727	1190	-	1008	-	160	935	910	800	-	78,00	284310
SPP 2500/10	1500	1500	2449	1430	-	2615	-	160	1655	1630	800	-	160,00	284325
SPP 1500/15	1500	1500	1804	1430	-	1545	-	200	990	965	800	-	128,00	284315
SPP 2000/20	1500	1500	2097	1430	-	2016	-	200	1283	1258	800	-	140,00	284320
SPP 2500/20	1500	1500	2097	1430	-	2581	-	200	1283	1258	800	-	160,00	284326

AQUAFIX® - KPP Coalescence separator

KPP 04



	Length mm	Width mm	Height mm	Ex- ternal dia- meter mm	Flow perfor- mance l/s	Sludge trap capa- city l	Sepa- rator capa- city l	DN/ OD in-/ outlet mm	HE H inlet mm	HA H outlet mm	DNE Man- hole 1 mm	DNE Man- hole 2 mm	Weight kg	Item No.
KPP 04	700	700	1044	600	4	-	191	110	706	681	600	-	30,00	283504
KPP 06	850	850	1500	800	6	-	339	160	706	681	800	-	57,00	283506
KPP 10	1000	1000	1496	950	10	-	478	160	702	677	800	-	67,00	283510
KPP 15	1240	1240	1749	1190	15	-	1140	200	853	828	800	-	144,00	283515
KPP 20	1500	1500	1749	1430	20	-	1325	200	853	828	800	-	161,00	283520

AQUAFIX® Steel „G“

AQUAFIX® Steel „K“

AQUAFIX® concrete

AQUAFIX® „10 PE“

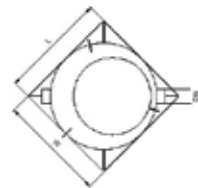
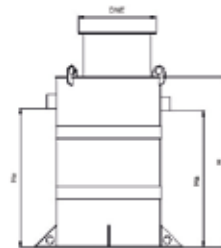
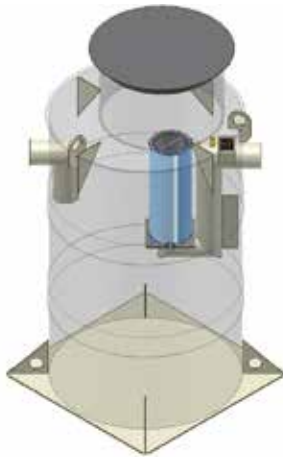
AQUAFIX® „PP“

Installation Instructions

AQUAFIX® Separator made of PP, series H

AQUAFIX® - SKPP Coalescence separator with sludge trap

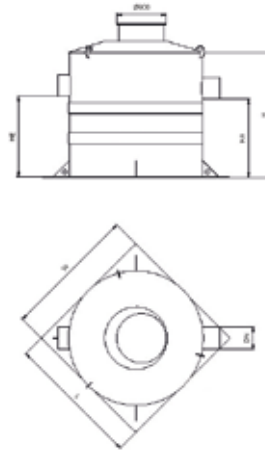
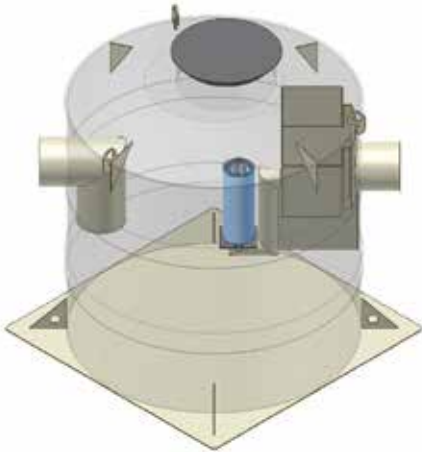
SKPP 04/0400



	Length mm	Width mm	Height mm	Ex- ternal dia- meter mm	Flow perfor- mance l/s	Sludge trap capa- city l	Sepa- rator capa- city l	DN/ OD in-/ outlet mm	HE H inlet mm	HA H outlet mm	DNE Man- hole 1 mm	DNE Man- hole 2 mm	Weight kg	Item No.
SKPP 04/0400	1000	1000	1840	950	4	424	478	110	1071	1046	800	-	67,00	284004
SKPP 06/0600	1000	1000	2345	950	6	603	478	160	1551	1526	800	-	82,00	284006
SKPP 06/1200	1240	1240	2480	1190	6	1211	551	160	1604	1579	800	-	120,00	284106
SKPP 10/1000	1240	1240	2480	1190	10	1011	751	160	1604	1579	800	-	120,00	284010
SKPP 10/2500	1500	1500	3074	1430	10	2500	1084	160	2198	2173	800	-	160,00	284110
SKPP 15/1500	1500	1500	2704	1430	15	1547	1325	200	1808	1783	800	-	230,00	284015
SKPP 15/3000	2000	2000	2804	1910	15	3023	2364	200	1908	1883	800	-	280,00	284115
SKPP 20/2000	2000	2000	2446	1910	20	2020	2364	200	1550	1525	800	-	256,00	284020
SKPP 20/4000	2500	2500	2654	2380	20	4026	3670	200	1758	1733	800	-	340,00	284120

AQUAFIX® - SKBPPP Coalescence separator with sludge trap and bypass

SKBPPP 10/1000



	Length mm	Width mm	Height mm	Ex- ternal dia- meter mm	Flow perfor- mance l/s	Sludge trap capa- city l	Sepa- rator capa- city l	DN/ OD in-/ outlet mm	HE H inlet mm	HA H outlet mm	DNE Man- hole 1 mm	DNE Man- hole 2 mm	Weight kg	Item No.
SKBPPP 10/1000	2500	2500	2374	2380	50	1001	3621	315	1110	1060	800	-	320,00	283610
SKBPPP 15/1500	2500	2500	2674	2380	75	1501	4023	400	1317	1267	800	-	350,00	283615

AQUAFIX® Steel „G“

AQUAFIX® Steel „K“

AQUAFIX® concrete

AQUAFIX® „10 PE“

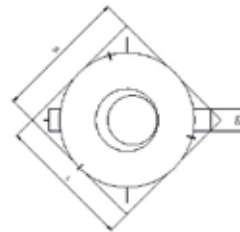
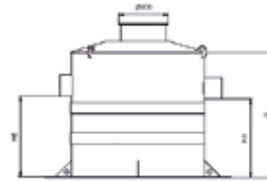
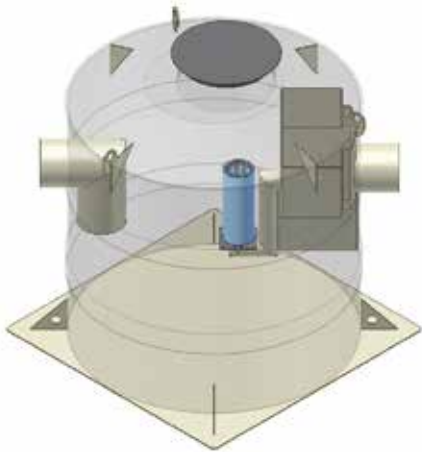
AQUAFIX® „PP“

Installation Instructions

AQUAFIX® Separator made of PP, series H

AQUAFIX® - SK2BPPP Coalescence separator with sludge trap and double bypass

SK2BPPP 10/1000



	Length mm	Width mm	Height mm	Ex- ternal dia- meter mm	Flow perfor- mance l/s	Sludge trap capa- city l	Sepa- rator capa- city l	DN/ OD in-/ outlet mm	HE H inlet mm	HA H outlet mm	DNE Man- hole 1 mm	DNE Man- hole 2 mm	Weight kg	Item No.
SK2BPPP 10/1000	2500	2500	2474	2380	100	1001	3869	400	1167	1117	800	-	335,00	283010
SK2BPPP 15/1500	2500	2500	2774	2380	150	1501	4241	500	1367	1317	800	-	360,00	283015

Grease Separator



AQUAFIX® Steel „G“

AQUAFIX® Steel „K“

AQUAFIX® concrete

AQUAFIX® „10 PE“

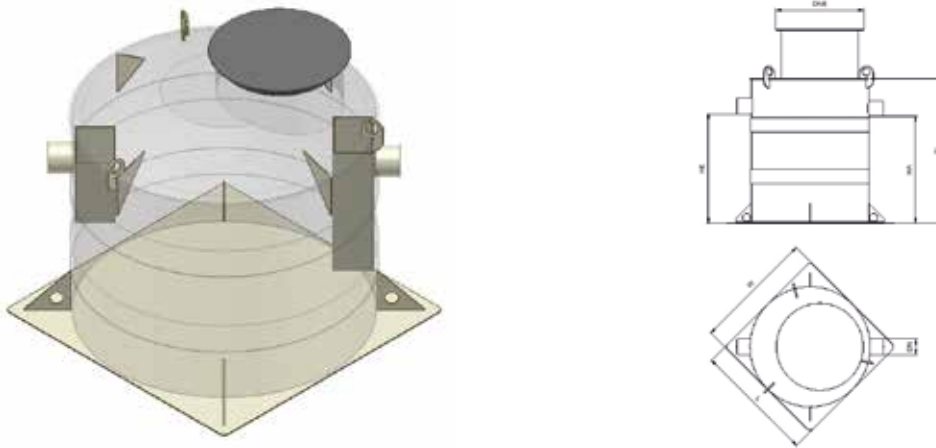
AQUAFIX® „PP“

Installation Instructions

AQUAFIX® Separator made of PP, series H

AQUAFIX® - FPP Grease separator

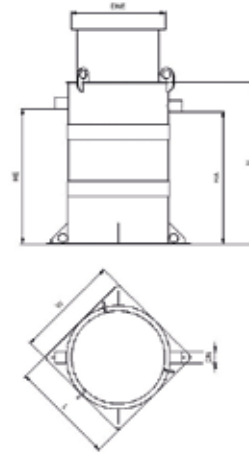
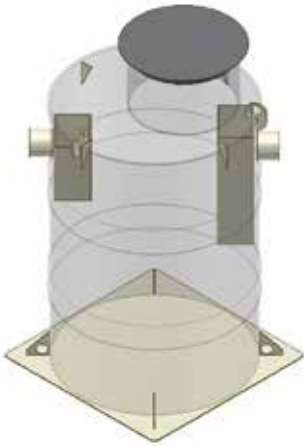
FPP 02



	Length mm	Width mm	Height mm	Ex- ternal dia- meter mm	Flow perfor- mance l/s	Sludge trap capa- city l	Sepa- rator capa- city l	DN/ OD in-/ outlet mm	HE H inlet mm	HA H outlet mm	DNE Man- hole 1 mm	DNE Man- hole 2 mm	Weight kg	Item No.
FPP 02	1000	1000	1694	950	2	-	567	160	825	800	800	-	60,00	285002
FPP 04	1240	1240	1998	1190	4	-	1223	160	1127	1102	800	-	83,00	285004
FPP 07	1500	1500	2224	1430	7	-	2008	200	1278	1251	800	-	160,00	285007
FPP 10	2000	2000	2011	1910	10	-	3008	200	1078	1053	800	-	196,00	285010
FPP 15/20	2500	2500	2219	2380	20	-	5561	200	1278	1253	800	-	270,00	285020

AQUAFIX® - SFPP Grease separator with sludge trap

SFPP 02/0200



	Length mm	Width mm	Height mm	Ex- ternal dia- meter mm	Flow perfor- mance l/s	Sludge trap capa- city l	Sepa- rator capa- city l	DN/ OD in-/ outlet mm	HE H inlet mm	HA H outlet mm	DNE Man- hole 1 mm	DNE Man- hole 2 mm	Weight kg	Item No.
SFPP 02/0200	1000	1000	2035	950	2	213	592	160	1166	1141	800	-	66,00	285302
SFPP 02/0400	1000	1000	2305	950	2	411	585	160	1436	1411	800	-	71,00	285303
SFPP 04/0400	1200	1200	2307	1190	4	423	1140	160	1436	1411	800	-	90,00	285304
SFPP 04/0800	1240	1240	2654	1190	4	806	1140	160	1803	1778	800	-	98,00	285305
SFPP 07/0700	1500	1500	2654	1430	7	715	1983	200	1708	1683	800	-	180,00	285307
SFPP 07/1400	1500	1500	3104	1430	7	1429	1983	200	2158	2133	800	-	200,00	285308
SFPP 10/1000	2000	2000	2116	1910	10	1003	2292	200	1183	1158	800	-	203,00	285310
SFPP 10/2000	2000	2000	2466	1910	10	2006	2292	200	1533	1508	800	-	227,00	285311

AQUAFIX® Steel „G“

AQUAFIX® Steel „K“

AQUAFIX® concrete

AQUAFIX® „10 PE“

AQUAFIX® „PP“

Installation Instructions

AQUAFIX® Separators

Installation Instructions & Examples





AQUAFIX® Separators

Installation Instructions

Separators series „G“ made of steel

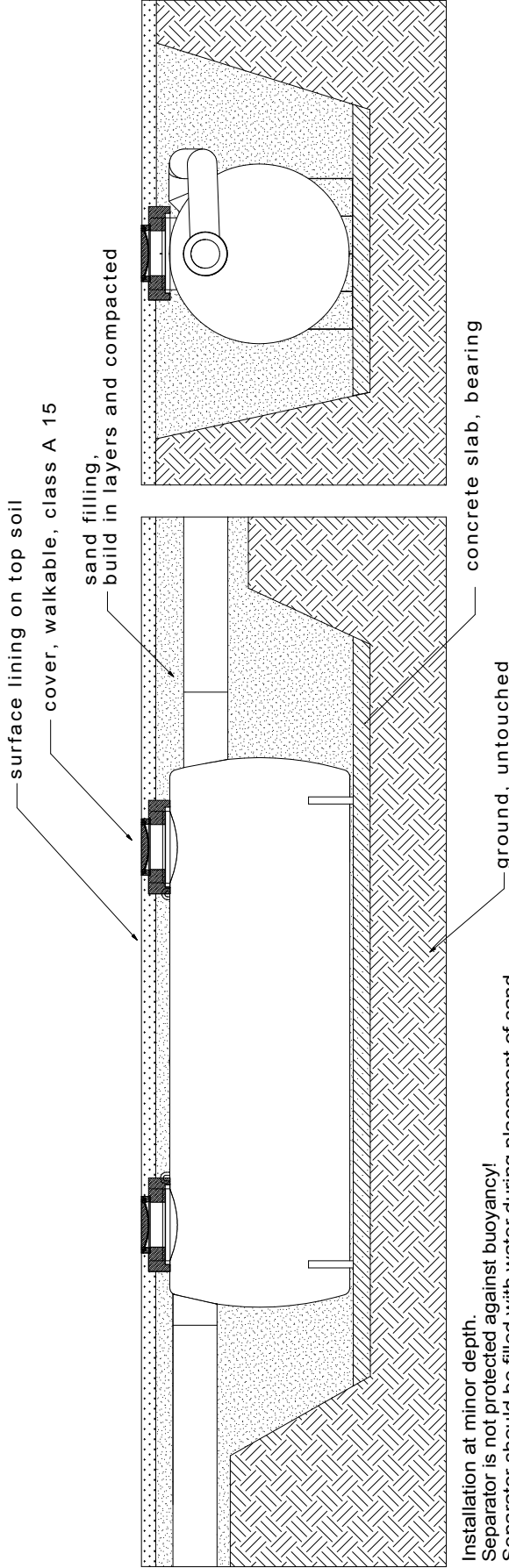
Installation advice for AQUAFIX® Separators series „G“ made of steel

1. Please check completeness of delivery and immediately note any parts that are missing or were damaged in transit on the delivery note. Complaints received at a later date will not be accepted. Otherwise our general business terms and conditions apply.
2. The separator must be installed outside the washing areas where it will not overflow or back up. It must also be as close as possible to the source of the sewage, in the open but protected from the frost and easy to access with cleaning vehicles. The outlets and pipes must be able to drain off.
3. The excavation base must be level. If no suitable soil is available a 10 mm thick compressed bed of sand or small pebbles can be used. A foundation plate would be even better. If the foundation soil is non-supporting, make a statically dimensioned foundation plate.
4. Take thickness of base and correction layer into consideration in height calculations. Pay attention to height information in installation drawing.
5. Tank must be installed in a level position.
6. The material must be level as it flows through the separator. Inlets and outlets must be correctly aligned. The inlet and outlet must not be the wrong way around! Use the correct gradient! Recommended total gradient of system must be 2 - 5 %!
7. Install system with top edge higher than last inlet point.
8. Pipelines must be connected without leaks.
9. After all tanks, tops, covers and connecting pipes have been correctly aligned, clean the system!
10. Before filling up the system, fill all tanks with fresh water and check for leaks. The leak test is mandatory!
11. Do not modify tank or pipes again after filling with sand and compressing. Please refer to provided installation drawing.
12. Attach concrete plate to provide buoyancy protection if necessary.
13. When fitting the dome shafts, ensure that the seals are correctly placed! Please use an adequate quantity of lubricant. We recommend laying the shaft elements beneath each other in mortar.
14. With liquid separation systems: When filling with fresh water, hold float in raised position by hand until it is able to float independently. Report start-up to relevant authority. Always follow accident prevention regulations during installation!

Installation Drawing

Installation drawing series G, separator from steel

walkable areas - loading capacity A 15

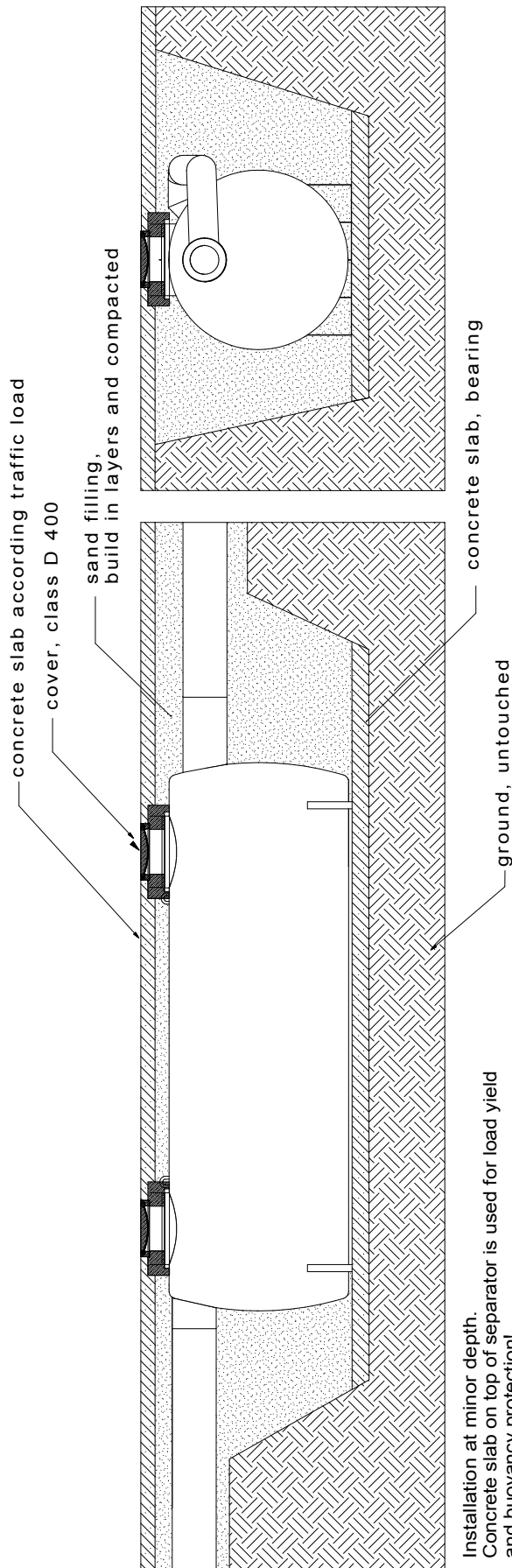


Installation at minor depth.
 Separator is not protected against buoyancy!
 Separator should be filled with water during placement of sand filling continuously.

hauraton		Einbauzeichnung G Kl. A geringe Tiefe englisch	
Erstellt: Coe	070725	AQUAFIX	
gezeichnet von:	070725	Hauraton GmbH & Co KG	
CoE	081208	Werkstrasse 13	
CoE		D-76437 Haselau, G	
		Tel. +49 7222 958-0	
		Fax +49 7222 958-100	
		www.hauraton.com	
		mail: export@hauraton.com	

Installation Drawing

Installation drawing series G, separator from steel
 trafficable areas - loading capacity D 400



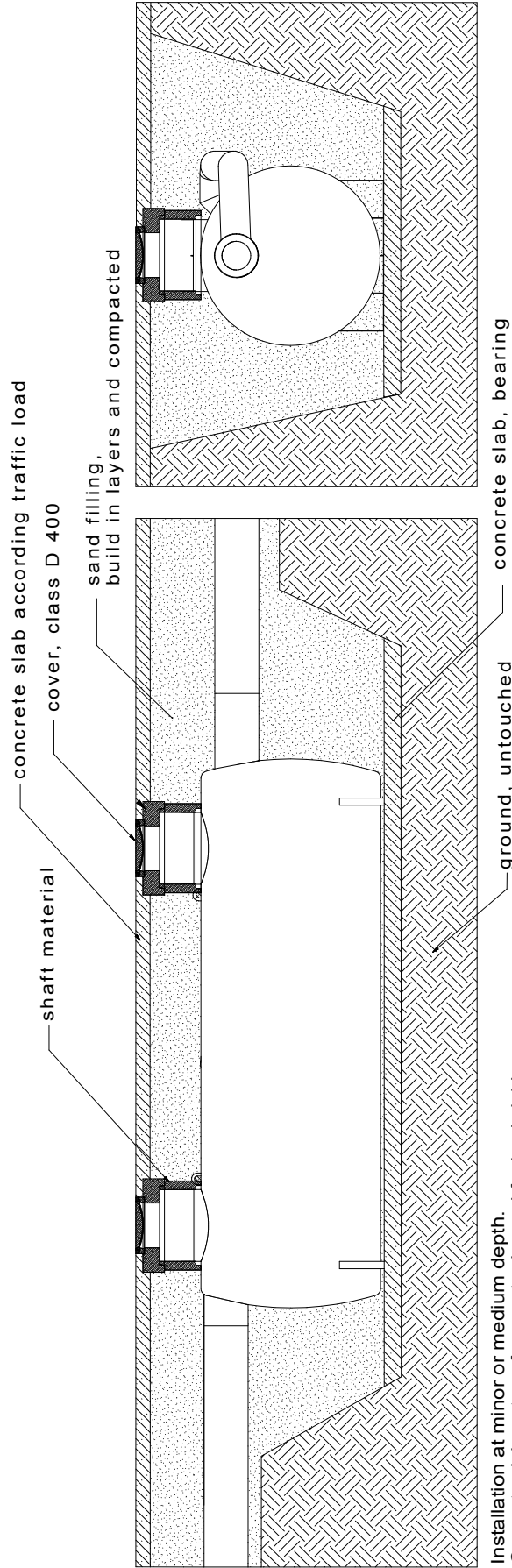
Installation at minor depth.
 Concrete slab on top of separator is used for load yield and buoyancy protection!
 Separator should be filled with water during placement of sand filling continuously.

hauraton		Einbauzeichnung G Kl. D geringe Tiefe englisch	
Erstellt: Coe	070725	AQUAFIX	
gezeichnet von:	Arbeitsgruppe	Hauraton GmbH & Co KG	
Coe	070725	Werkstrasse 13	
Coe	081208	D-76437 Hasbachtal	
		Tel. +49 7222 958-0	
		Fax. +49 7222 958-100	
		www.hauraton.com	
		mail: export@hauraton.com	

Installation Drawing

Installation drawing series G, separator from steel

trafficable areas - loading capacity D 400



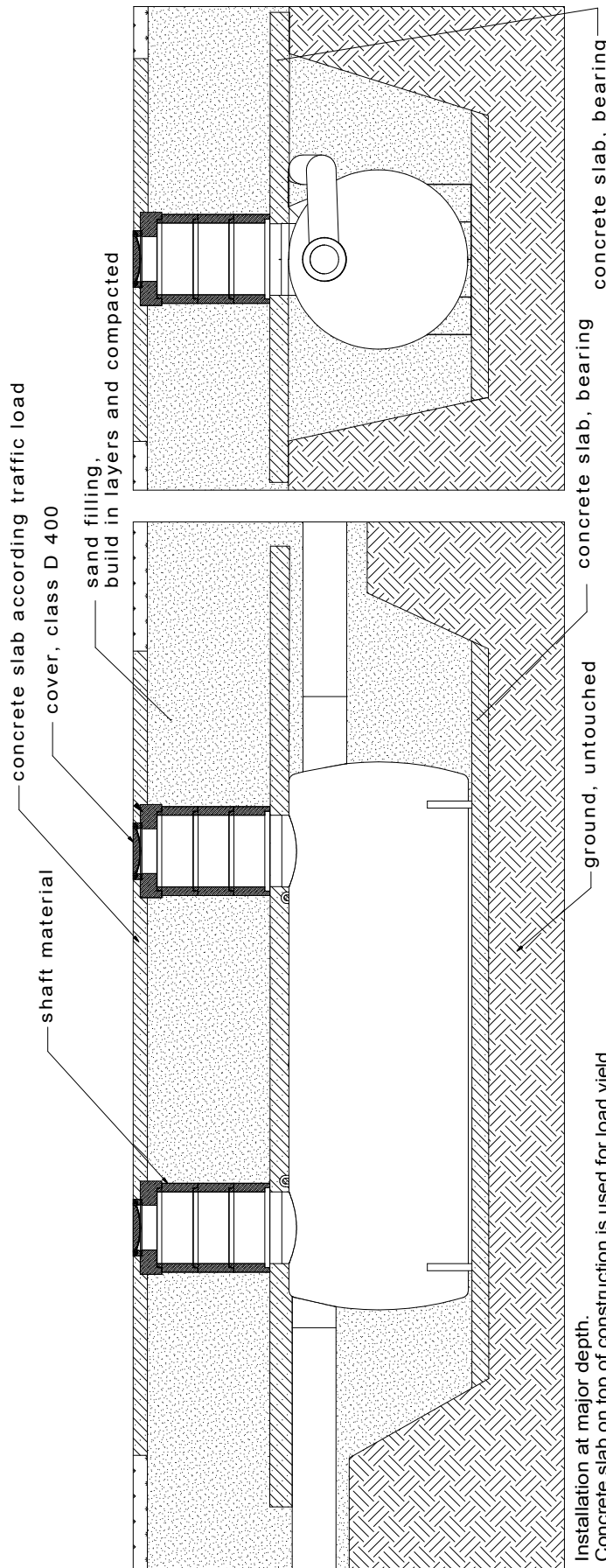
Installation at minor or medium depth.
Concrete slab on top of separator is used for load yield and buoyancy protection!
Separator should be filled with water during placement of sand filling continuously.

	Einbauzeichnung G Kl. D mittlere Tiefe englisch	
	<small>Einbauzeichnung G Kl. D</small>	
Erstellt: Coe 070725	070725 größer Textänderungen	AQUAFIX Hauraton GmbH & Co KG Werkstrasse 13 D-76437 Rastatt Tel: +49 7222 958-0 Fax: +49 7222 958-100 www.hauraton.com mail: export@hauraton.com

Installation Drawing

Installation drawing series G, separator from steel

trafficable areas - loading capacity D 400



Installation at major depth.
 Concrete slab on top of construction is used for load yield
 and slab on top of separator is used for buoyancy protection!
 Separator should be filled with water during placement of sand
 filling continuously.

hauraton		Einbauzeichnung G Kl. D große Tiefe englisch	
Erstellt: Coe	070725	AQUAFIX	
gezeichnet durch:	070725	Hauraton GmbH & Co KG	
CoE	081208	Werkstrasse 13	
CoE		D-76437 Hasbatt	
		Tel: +49 7222 958 0	
		Fax: +49 7222 958 100	
		www.hauraton.com	
		mail: export@hauraton.com	

Installation Instructions	AQUAFIX® „PP“	AQUAFIX® „10 PE“	AQUAFIX® concrete	AQUAFIX® Steel „k“	AQUAFIX® Steel „G“
----------------------------------	----------------------	-------------------------	--------------------------	---------------------------	---------------------------

AQUAFIX® Separators

Installation Instructions

Separators series „G“ made of steel

Operation and maintenance of AQUAFIX® light liquid separators series „G“ made of steel

■ Before start-up

1. Clean entire system and remove residual mortar, soil etc.
2. Fill sludge trap and separator with fresh water.*

Attention! Always hold float of seal in hand when filling until it can float by itself. Please ensure that water level is same in all chambers of tank, and fill in sequence!

3. Re-check joints of system for leaks.

* Sludge trap in this type of system must be filled with fresh water.

■ Operation

As well as following the maintenance guide, the entire system must comply with the following regulations:

- DIN 1986 (estate drainage systems)
- EN 858 (light liquid separators)
- Local drainage regulations and other instructions

Only sewage that does not have a detrimental effect on the intended operation of the separator must be led into the system. Emulsions and solvents (cold cleaners, drilling and cutting oil, water-soluble hydrocarbons etc.) must not be allowed to enter the separator. Dispose of these materials together with the special waste. Rainwater from surfaces for which the separator was not intended and domestic sewage must not be led into the separator. With coalescence separators: Do not remove coalescence insert during operation!

The use of alarm systems with big steel AQUAFIX® SKG, SKBP, SKGBP2 and SKGBPL separators is strongly recommended because of the large quantity of light liquid that is stored!

■ Disposal

Separator systems must be drained at least every six months, but should not be allowed to fill to more than 85% of their storage capacity. Cleaning must occur more often if the storage capacity of the separator or sludge trap is exceeded. Operation must not be interrupted. All separated material must be drained, cleaned and taken away for disposal by an approved disposal company.

Please empty the separator and the sludge trap of this type of system at the same time if possible.

First extract the oil layer from the system and then the layer of water beneath it, into separate tanks if possible. Clean float and seal every time the system is emptied and check operation thereof.

With coalescence separators: If the coalescence material is soiled, remove coalescence material, clean above sludge trap, give damaged coalescence material to disposal company and replace with new material. Replace coalescence material. The sludge trap has a coalescence chamber access flap for removing the coalescence material. Refill system with fresh water whenever it is emptied and cleaned.

Attention! Always hold float of seal by hand until it is floating when filling the system. Use mobile ladder when entering the system. Extract air/vapour mixture beforehand. Take the relevant safety precautions! Follow the accident prevention regulations!

In the event of torrential rainfall, a sudden influx into the separator can occur with large separators. When entering the system, prevent influx and pay attention to personal safety.



■ Maintenance

The separator must be serviced at least every 6 months. The system must be emptied to do this. Carefully check that all system components are in good working order and undamaged. Then fill separator and sludge trap with water*, hold seal open by hand or insert later.

* Sludge trap in this type of system must be filled with fresh water.

It is extremely important to follow the accident prevention regulations! Keep these instructions in a clearly visible location in close proximity to the separator!

Coalescence insert description and maintenance guide

1. Description: The coalescence insert consists of lamellar material that is in the coalescence chamber.
2. Maintenance: The coalescence material must be checked monthly for soiling. If the material is difficult to rinse out, remove material using the clamp in the coalescence chamber that is accessible from the sludge trap and clean. Replace material with new material if necessary. Then close flap again.

Do not remove coalescence material during operation!

Seal description and maintenance

1. Description: The separator outlet is equipped with a seal. When the float drops into the light liquid layer a sealing washer is pressed against the bottom end of the outlet. When filling the system with fresh water, hold float in an elevated position by hand until it can float by itself.
2. Maintenance: **Important!** The seal must be held in an elevated position by hand by pulling the float until the maximum water level is reached. Do not release float until it is floating in water, therefore releasing the seal!

AQUAFIX® Separators

Installation Instructions

Separators series „k“ made of steel

Installation advice for AQUAFIX® Separators series „k“ made of steel

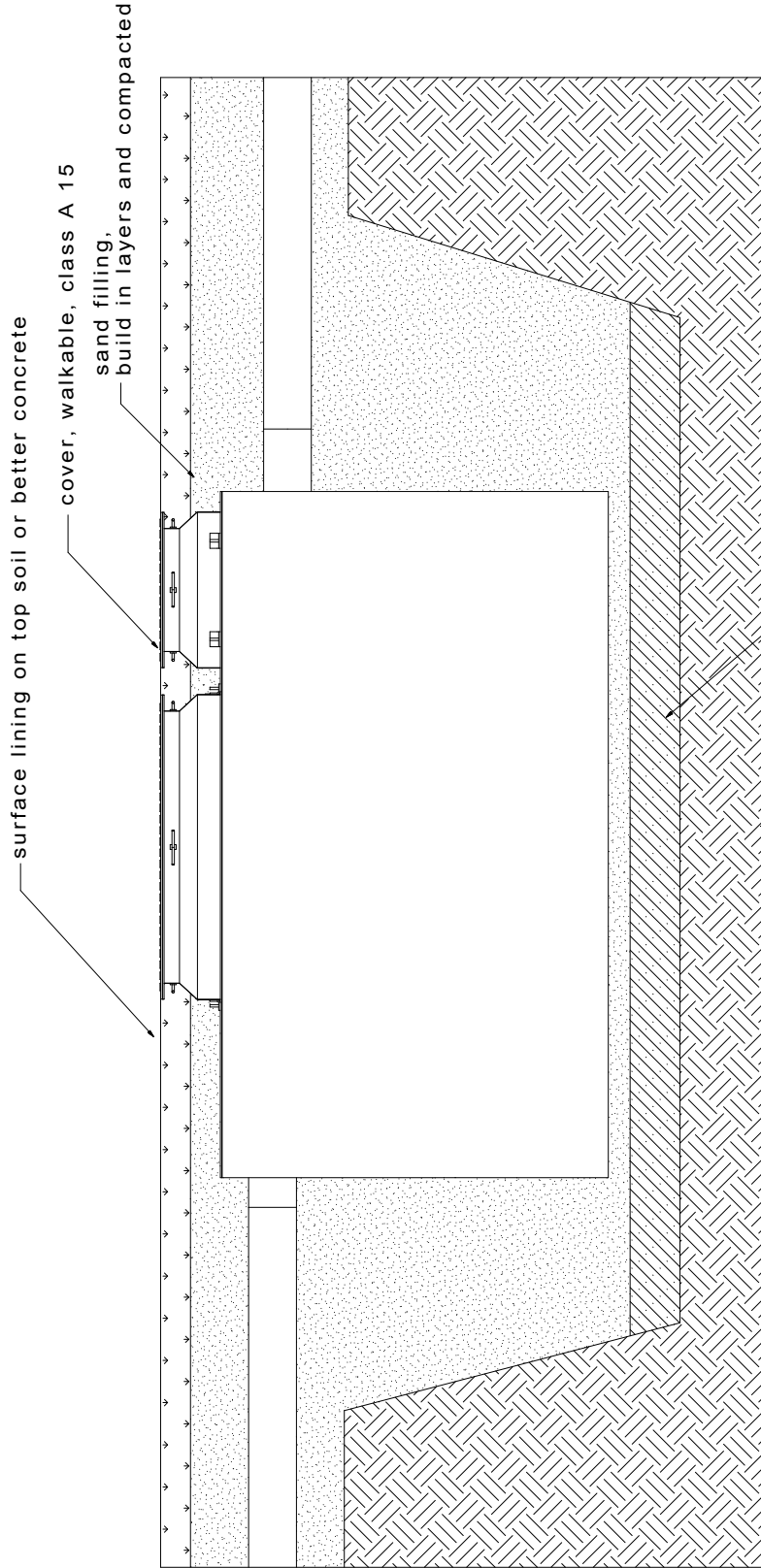
1. Please check completeness of delivery and immediately note any parts that are missing or were damaged in transit on the delivery note. Complaints received at a later date will not be accepted. Otherwise our general business terms and conditions apply.
 2. The separator should be installed outside the washing areas where it will not overflow or back up. It must also be as close as possible to the source of the sewage, in the open but protected from the frost and easy to access with cleaning vehicles.
 3. The excavation base must be level. If no suitable soil is available a 10 mm thick compressed bed of sand or small pebbles can be used. A foundation plate would be even better. If the foundation soil is non-supporting, make a statically dimensioned foundation plate.
 4. Take thickness of base and correction layer into consideration in height calculations. Pay attention to height information in installation drawing.
 5. Tank must be installed in a level position.
 6. The material must be level as it flows through the separator. The inlet and outlet must be correctly aligned.
 7. Install system with top edge higher than last inlet point.
 8. Attach buoyancy protector if necessary and anchor it in the foundation plate.
 9. Pipelines must be connected without leaks.
 10. After correctly aligning all tanks, tops, covers and connecting pipes, clean the system!
 11. Before filling up the system, fill all tanks with fresh water and check for leaks. The leak test is mandatory!
 12. Do not modify tank or pipes again after filling with sand and compressing. Please refer to provided installation drawing.
 13. Attach concrete plate to provide buoyancy protection if necessary.
 14. With liquid separation systems: When filling with fresh water, hold float in raised position by hand until it is able to float independently. Report start-up to relevant authority.
- Always follow accident prevention regulations during installation!**

**The inlet and outlet must not be the wrong way around!
Use the correct gradient! Recommended total gradient
of system must be 2 - 5 %!**

Installation Drawing

Installation drawing series k, small separator from steel

walkable areas - loading capacity A 15



Installation at minor depth.
Separator is not protected against buoyancy!
Separator should be filled with water during placement of sand filling continuously.

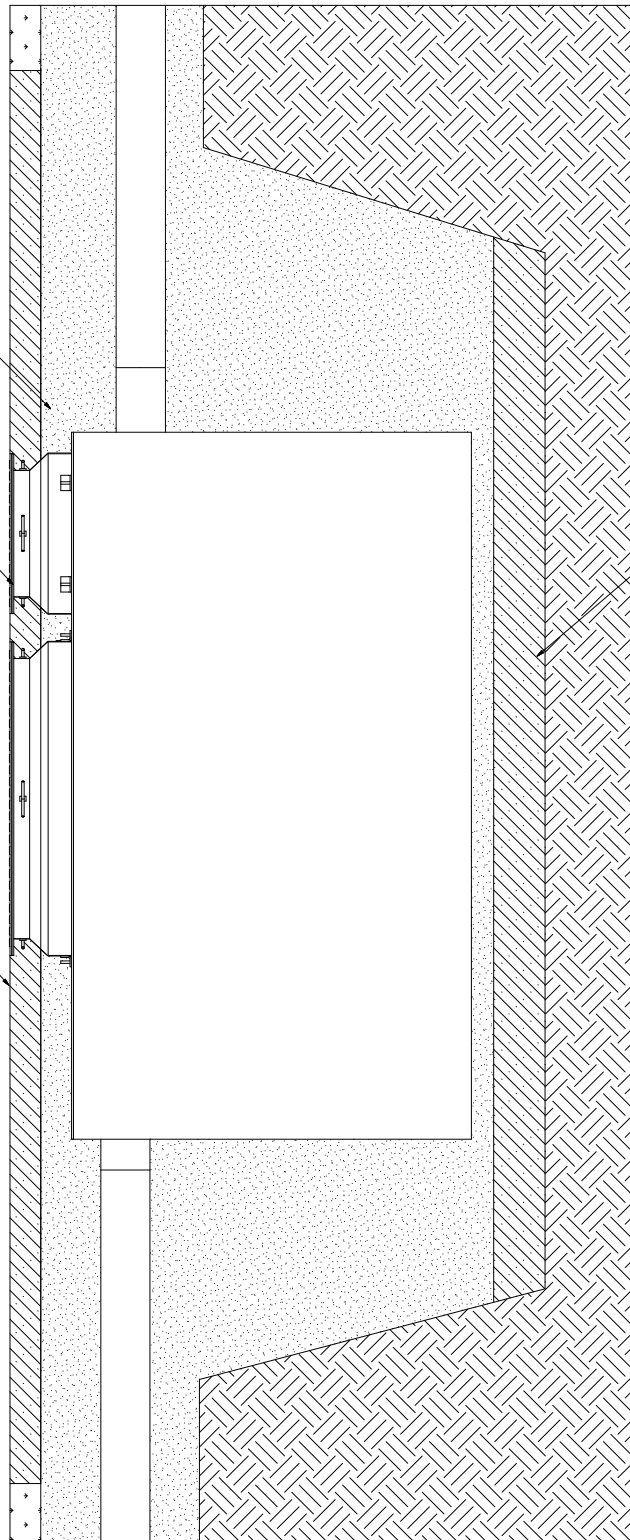
		Einbauzeichnung k Kl. A geringe Tiefe englisch	
Erstellt: Coe	070725	AQUAFIX	
gezeichnet durch:	070725	Hauraton GmbH & Co KG	
CoE	081208	Werktstrasse 13	
		D-76437 Haslach	
		str. 49 7222 958-0	
		Fax: +49 7222 958-100	
		www.hauraton.com	
		mail: export@hauraton.com	

Installation Drawing

Installation drawing series k, small separator from steel

trafficable areas - loading capacity D 400

concrete slab, bearing, reinforced, buoyancy protection
 cover, class D 400
 sand filling, build in layers and compacted



Installation at minor or medium depth.
 Separator is protected against buoyancy by concrete slab on top.
 Separator should be filled with water during placement of sand filling continuously.

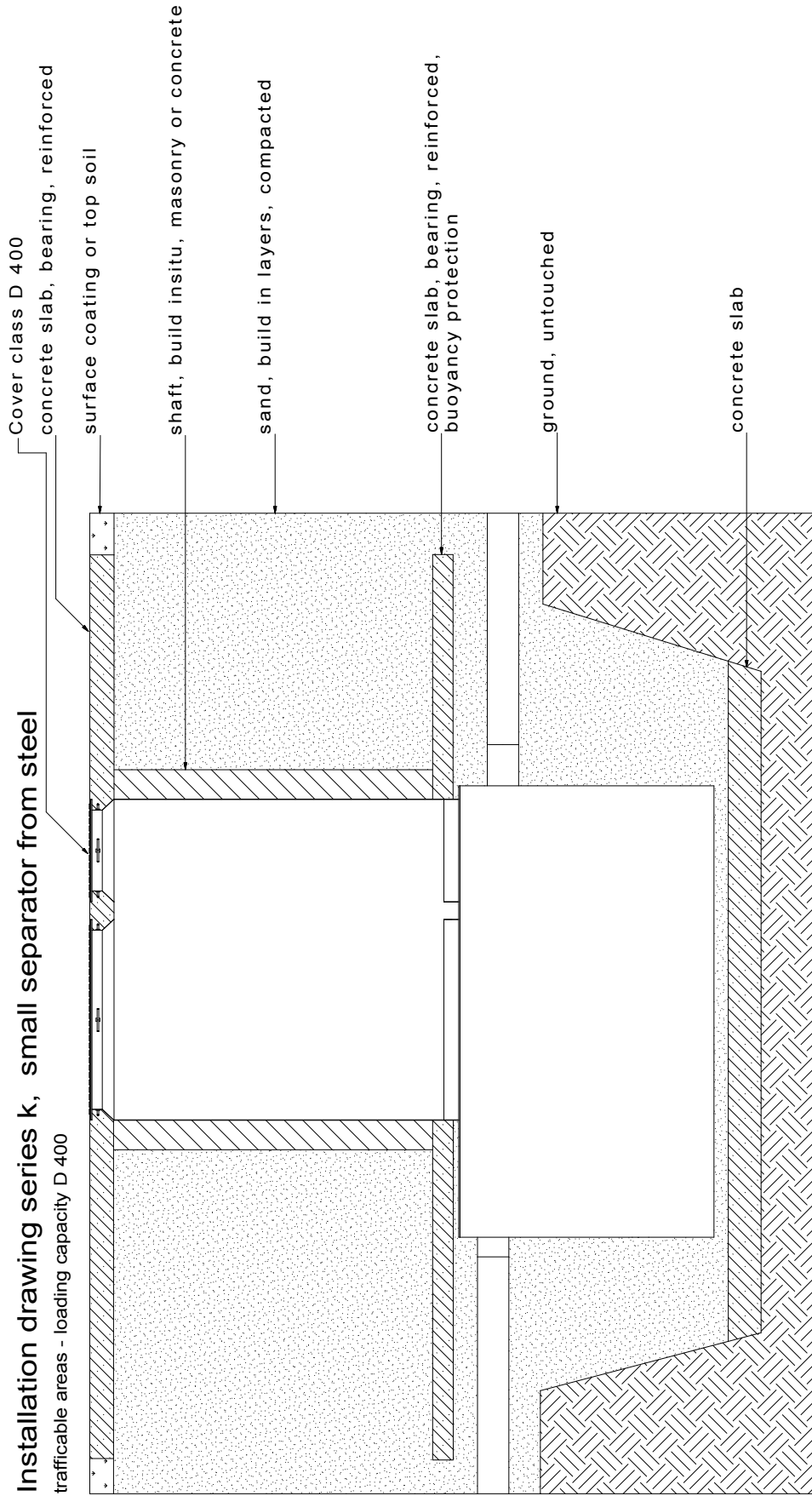
concrete slab, bearing

ground, untouched

	Einbauzeichnung k Kl. D geringe bis mittlere Tiefe englisch	Hauraton GmbH & Co KG Werkstrasse 13 D-76437 Hasstatt Tel. +49 7222 958-0 Fax +49 7222 958-100 www.hauraton.com mail: export@hauraton.com
	070725 AQUAFIX	Hauraton GmbH & Co KG Werkstrasse 13 D-76437 Hasstatt Tel. +49 7222 958-0 Fax +49 7222 958-100 www.hauraton.com mail: export@hauraton.com
Erstellt: Coe gezeichnet durch: Coe gezeichnet am: 07.07.25 Coe 08.12.08	070725 Vergrößerungen Textänderungen	Hauraton GmbH & Co KG Werkstrasse 13 D-76437 Hasstatt Tel. +49 7222 958-0 Fax +49 7222 958-100 www.hauraton.com mail: export@hauraton.com

Installation Drawing

Installation drawing series k, small separator from steel trafficable areas - loading capacity D 400



Installation at major depth.
Separator is protected against buoyancy by concrete slab on top of separator.
Separator should be filled with water during placement of sand filling continuously.

hauraton Einbauzeichnung k Kl. D
große Tiefe englisch

Erstellt: Coe	070725	AQUAFIX	Hauraton GmbH & Co KG
gezeichnet durch:	070725	Vergrößen	Werkstrasse 13
CoE	081208	Textänderungen	D-76437 Haslach
			Str. +49 7222 958 0
			Fax +49 7222 958 100
			www.hauraton.com
			mail: export@hauraton.com

AQUAFIX® Separators

Installation Instructions

Separators series „k“ made of steel

Operation and maintenance of AQUAFIX® light liquid separators series „k“ made of steel

■ Before start-up

1. Clean entire system and remove residual mortar, soil etc.
2. Fill sludge trap and separator with fresh water.*
Attention! Always hold float of seal in hand when filling until it can float by itself. Please ensure that water level is same in all chambers of tank, and fill in sequence!
3. Re-check joints of system for leaks.

* Sludge trap in this type of system must be filled with fresh water.

■ Operation

As well as following the maintenance guide, the entire system must comply with the following regulations

- DIN 1986 (estate drainage systems)
- EN 858 (light liquid separators)
- Local drainage regulations and other instructions

Only sewage that does not have a detrimental effect on the intended operation of the separator must be led into the system. Emulsions and solvents (cold cleaners, drilling and cutting oil, water-soluble hydrocarbons etc.) must not be allowed to enter the separator. Dispose of these materials together with the special waste. Rainwater from surfaces for which the separator was not intended and domestic sewage must not be led into the separator. With coalescence separators: Do not remove coalescence insert during operation!



Seal description and maintenance

1. Description: The separator outlet is equipped with a seal. When the float drops into the light liquid layer a sealing washer is pressed against the bottom end of the outlet. When filling the system with fresh water, hold float in an elevated position by hand until it can float by itself.
2. Maintenance: **Important!** The seal must be held in an elevated position by hand by pulling the float until the maximum water level is reached. Do not release float until it is floating in water, therefore releasing the seal!

Keep these instructions in close proximity to the separator!

■ Disposal

Separator must be drained at least every six months, but should not be allowed to fill to more than 85% of its storage capacity. Cleaning must occur more often if the storage capacity of the separator or sludge trap is exceeded. Operation must not be interrupted. All separated material must be drained, cleaned and taken away for disposal by an approved disposal company.

Please empty the separator and the sludge trap of this type of system at the same time if possible.

First extract the oil layer from the system and then the layer of water beneath it, into separate tanks if possible. Clean float and seal every time the system is emptied and check operation thereof.

With coalescence separators: If the coalescence material is soiled, remove coalescence material, clean above sludge trap, give damaged coalescence material to disposal company and replace with new material. Replace coalescence material. Refill system with fresh water whenever it is emptied and cleaned.

Attention! Always hold float of seal by hand until it is floating when filling the system. Use mobile ladder when entering the system. Extract air/vapour mixture beforehand. Take the relevant safety precautions! Follow the accident prevention regulations!



■ Maintenance

Separator must be serviced at least every 6 months. System must be emptied to do this. Carefully check that all system components are in good working order and undamaged. Then fill separator and sludge trap with water*, hold seal open by hand or insert later.

* Sludge trap of this type of system must be filled with fresh water.

It is extremely important to follow the accident prevention regulations! Keep these instructions in close proximity to the separator!

Coalescence insert description and maintenance guide

1. Description: The coalescence insert consists of lamellar material that is in the coalescence chamber.
2. Maintenance: The coalescence material must be checked monthly for soiling. If it cannot be rinsed out easily it must be removed and cleaned. Replace material with new material if necessary. Do not remove coalescence material during operation!

Operation and maintenance of **AQUAFIX®** grease separators series „k“ made of steel

■ Before start-up

Clean entire system and remove any residual mortar, soil etc. if necessary. Fill entire system with fresh water. Check joints of system for leaks.

■ Operation

As well as the maintenance guide, the following instructions must be followed for the entire system:

- DIN 4040 (grease separation systems)
 - DIN 1986 (estate drainage systems)
 - Local water removal regulations and other instructions
- Only sewage that does not have a detrimental effect on the intended operation of the separator must be led to the separator. It is particularly important to prevent domestic sewage and light mineral liquids from entering the separator. Do not allow rainwater to enter the system.
- Keep these instructions in close proximity to the separator!**

■ Disposal

1. Grease separators must be cleaned at least once per month, possibly more frequently. Cleaning must take place more frequently if the separator or sludge trap storage capacity is exceeded. The operation of the separator must not be affected.
2. Have all separated material drained, cleaned and taken away by an approved disposal company.
3. Fill entire system with fresh water after it has been emptied and drained.
4. Use mobile ladders when entering the system. Extract vapour/air mixture beforehand. Pay attention to accident prevention regulations!

■ Maintenance

The separator must be serviced at least once per month. The system must be drained and cleaned in order to do this. Carefully check that all system components are in good working order and undamaged. Then refill system with fresh water. It is extremely important to observe the accident prevention regulations!

AQUAFIX® Separators

Installation Instructions

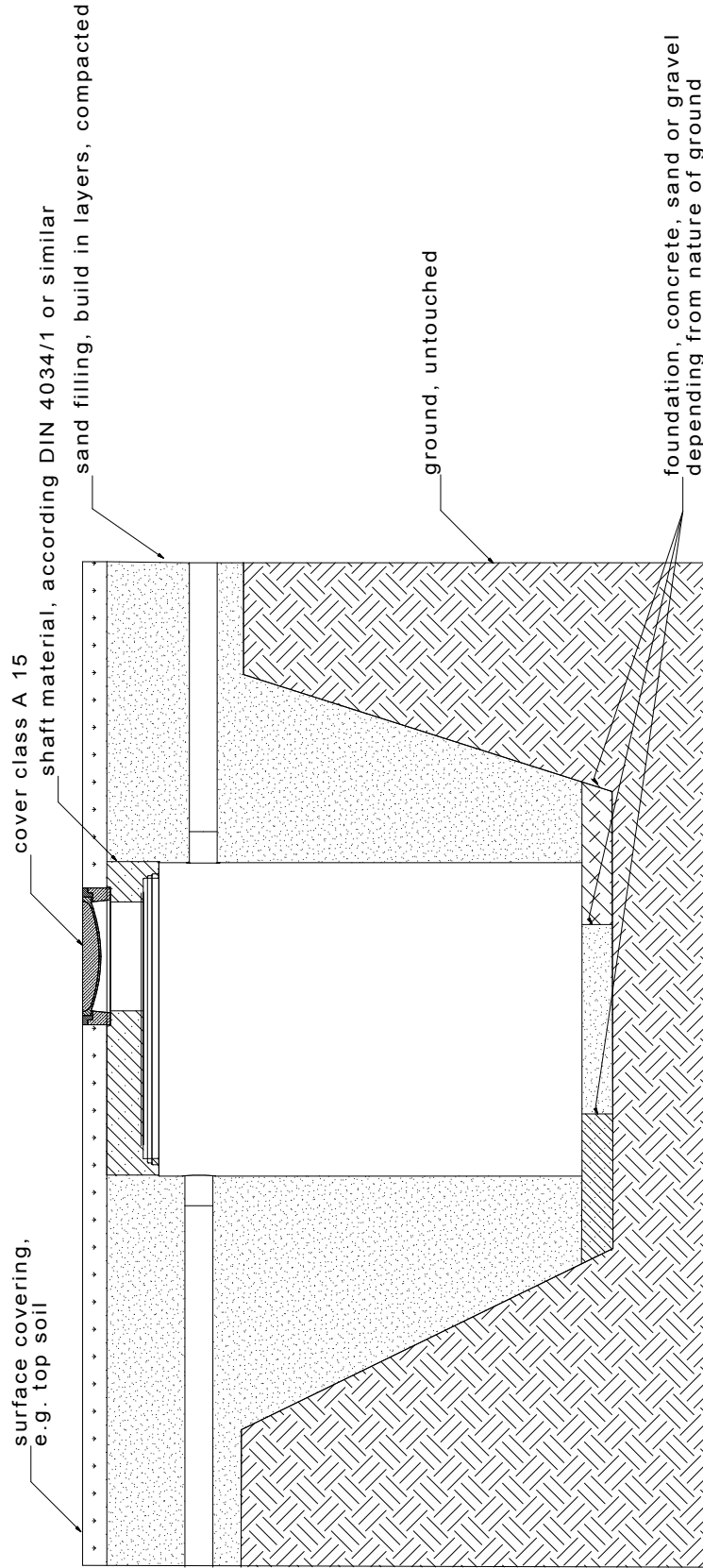
Separators series made of concrete (H/P)

Installation advice for AQUAFIX® Separators series made of concrete (H/P)

1. Please check completeness of delivery. Note any missing parts or transit damage that has occurred on the delivery note immediately. Complaints that are received later will not be accepted. Otherwise our general terms and conditions apply.
 2. The separator system must be installed in a location outside the washing areas where it will not overflow or back up, as close as possible to the location where the waste water occurs. It must also be in the open, frost-free and easily accessible for cleaning vehicles. The drains and pipes must be able to drain until empty.
 3. The base of the excavation must be level. If no suitable soil is available, create a 10 cm thick bed of sand and fine gravel and compress. If the ground is non-load bearing, make a statically measured foundation slab. Put a 10 cm compensation layer of sand onto the foundation slab.
 4. Take thickness of foundation and compensation layer into consideration during height measurements. Pay attention to height information in installation drawing.
 5. The tanks must be installed in a level position.
- Do not confuse the inlet with the outlet! Adhere to order of tanks! Maintain slope! Recommended total incline of system 2 - 5%!**
6. Install system so that top edge is higher than final admission point.
 7. Manual transport on side can be done easily with steel bars which can be put through the holes of the outer stop rings.
 8. Arrange maintenance shaft at outlet side such that all separator areas are accessible and the floats and the coalescence insert can be removed if necessary.
 9. Ensure that the seals are correctly placed! Please use an adequate quantity of antiseize agent. It is advisable to offset the relative positions of the shaft elements in mortar or using hose bearings.
 10. The distance between the individual elements should be 60 - 100 cm.
 11. Ensure that pipelines are connected without leaks.
 12. Fill all tanks with fresh water before filling and check for leaks. **This leak test is mandatory!**
 13. Do not alter positions of tanks and lines when filling and compressing with sand. Please pay attention to the provided drawing.
 14. When all tanks, covering plates, tops and covers and connecting pipes have been correctly located, **the system must be cleaned.**
 15. When filling light liquid separators with fresh water, hold float in raised position until it can float independently.
- Report start-up to the responsible authority. Pay attention to accident prevention regulations during installation!**

Installation Drawing

Installation drawing separator from concrete walkable areas - loading capacity A 15

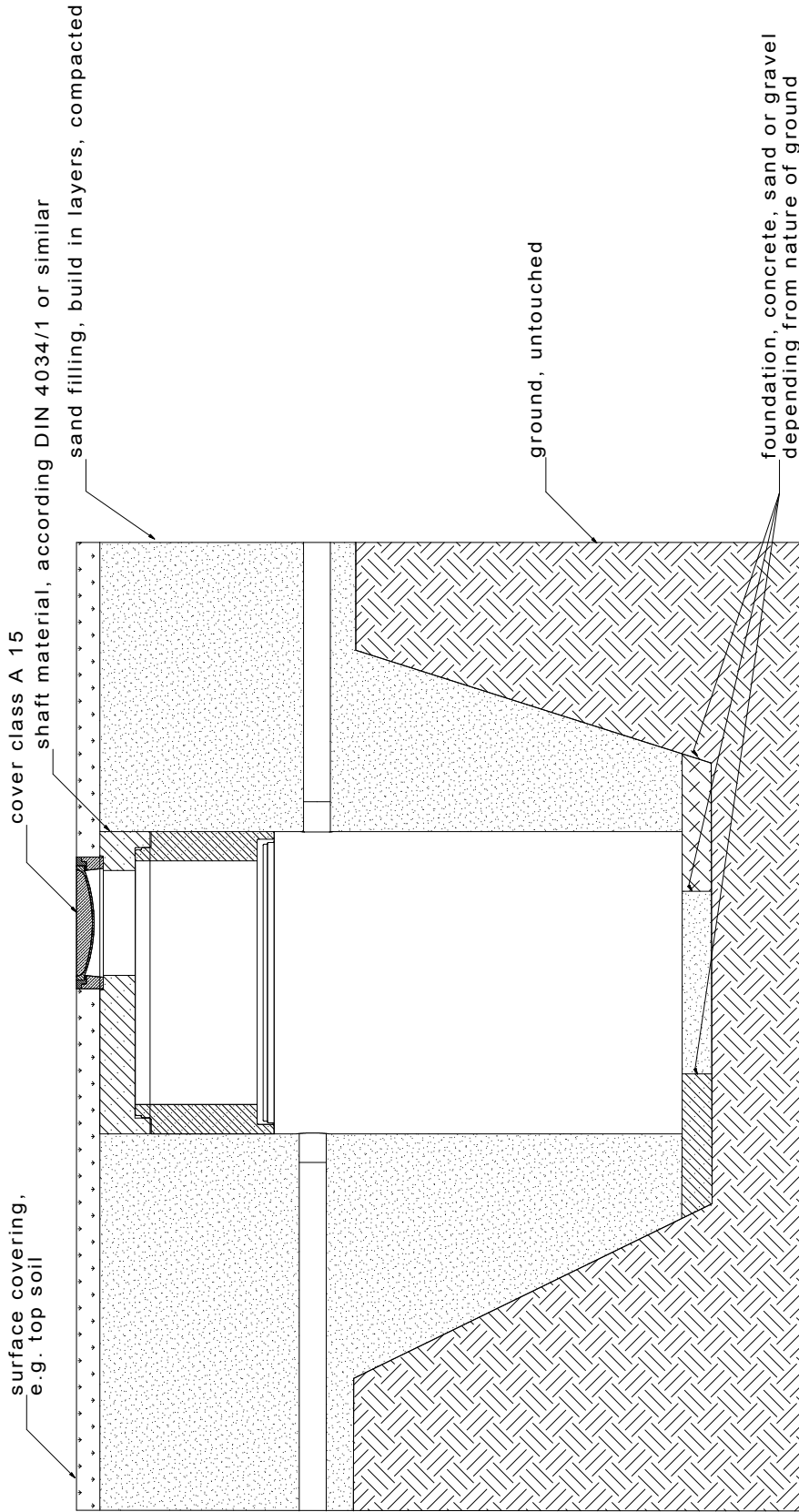


Installation at minor depth.
Separator is protected against buoyancy by itself.

		Einbauzeichnung B Kl. A geringe Tiefe englisch	
Erstellt: Coo	070725	AQUAFIX	
gezeichnet: Coo	070725	Hauraton GmbH & Co KG	
Coo	081208	Werksstrasse 13	
		D-70437 Haslach	
		Tel. +49 7222 958-0	
		Fax +49 7222 958-100	
		www.hauraton.com	
		mail: export@hauraton.com	

Installation Drawing

Installation drawing separator from concrete
walkable areas - loading capacity A 15

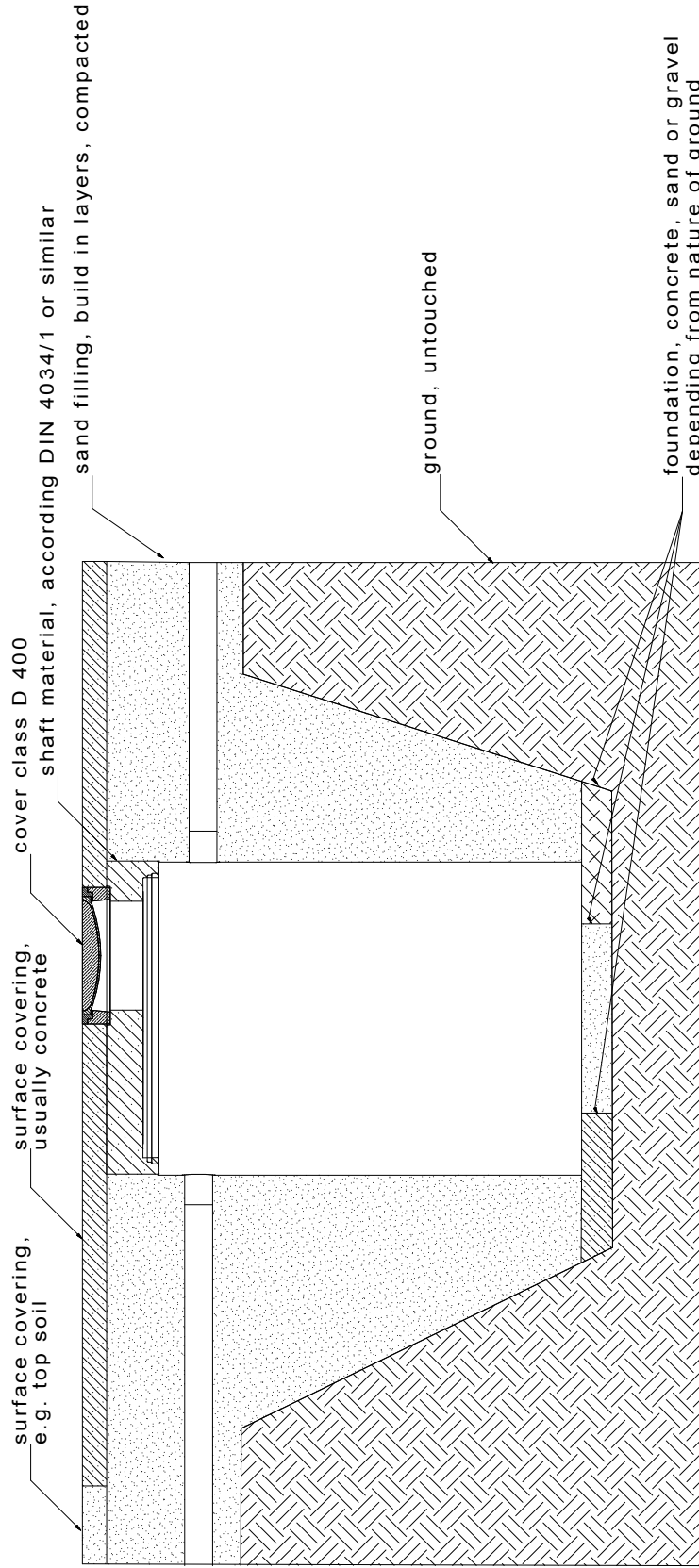


Installation at medium or major depth.
Separator is protected against buoyancy by itself.

hauraton		Einbauzeichnung B Kl. A mittlere bis große Tiefe englisch	
Erstellt: Coo	070725	AQUAFIX	
gezeichnet: Coo	070725	Hauraton GmbH & Co KG Werkstrasse 13 D-76437 Hasstatt Tel. +49 722 989 100 Fax +49 722 989 100 www.hauraton.com mail: export@hauraton.com	
gezeichnet: Coo	081208	Vergrößern Textänderungen	

Installation Drawing

Installation drawing separator from concrete trafficable areas - loading capacity D 400

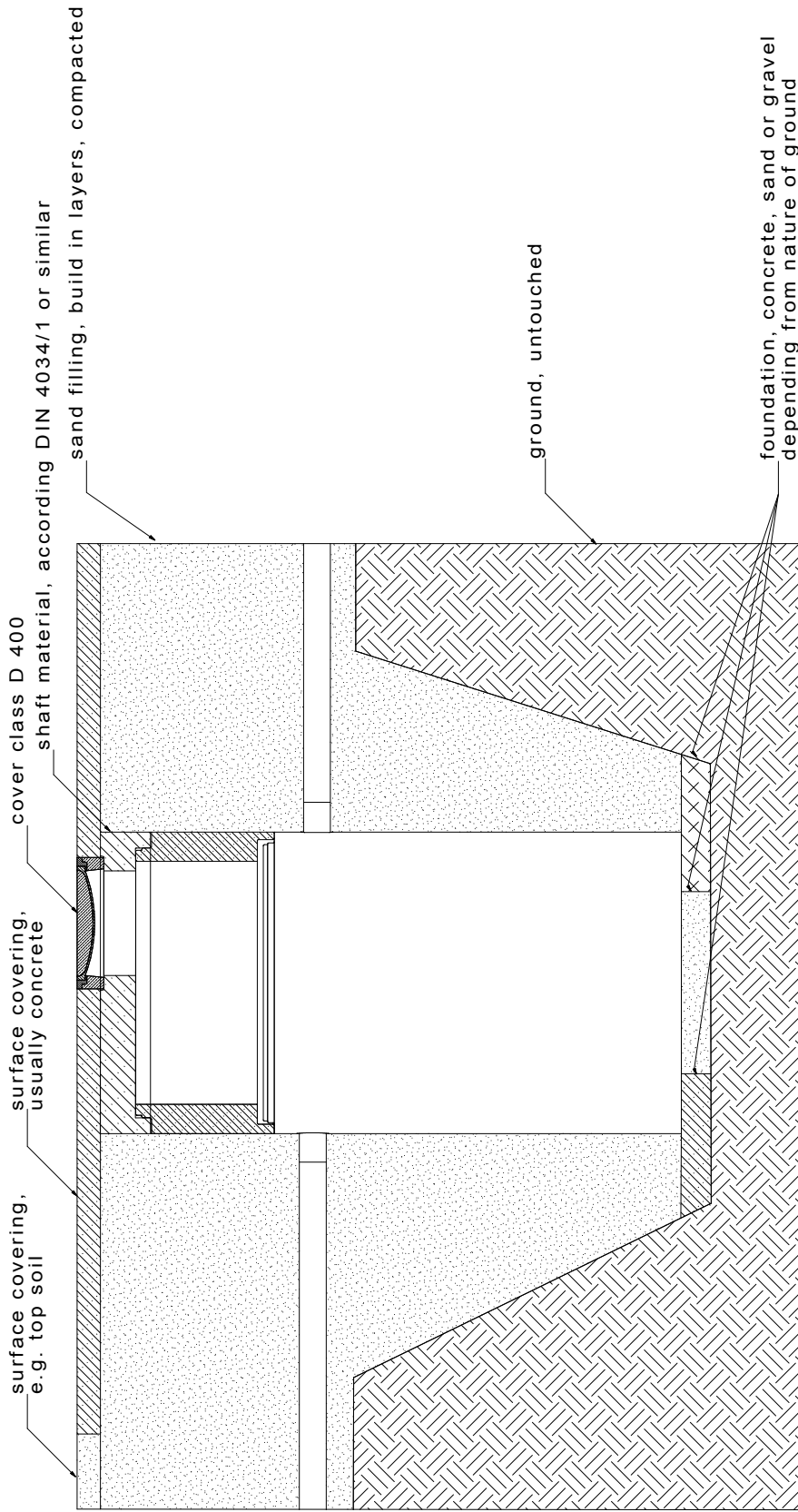


Installation at medium or major depth.
Separator is protected against buoyancy by itself.

		Einbauzeichnung B Kl. D geringe bis mittlere Tiefe englisch	
Erstellt: Coe	070725	AQUAFIX	
gezeichnet durch:	070725	Hauraton GmbH & Co KG	
CoE	081208	Werktstrasse 13	
		D-76437 Haslach	
		Tel. +49 7222 958-0	
		Fax +49 7222 958-100	
		www.hauraton.com	
		mail: export@hauraton.com	

Installation Drawing

Installation drawing separator from concrete
trafficable areas - loading capacity D 400



Installation at medium or major depth.
Separator is protected against buoyancy by itself.

hauraton	Einbauzeichnung B Kl. D mittlere bis große Tiefe englisch	
	Erstellt: Coe	070725
gezeichnet durch:	Arbeitsgruppe	AQUAFIX
Coe	070725	Vergrößen
Coe	081208	Textänderungen
Hauraton GmbH & Co KG Werkstrasse 13 D-76437 Hasbatt Tel. +49 7222 958-0 Fax +49 7222 958-100 www.hauraton.com mail: export@hauraton.com		

Installation Instructions	AQUAFIX® „PP“	AQUAFIX® „10 PE“	AQUAFIX® concrete	AQUAFIX® Steel „k“	AQUAFIX® Steel „G“
----------------------------------	----------------------	-------------------------	--------------------------	---------------------------	---------------------------

AQUAFIX® Separators

Installation Instructions

Separators series made of concrete (H/P)

Operation and maintenance of AQUAFIX® light liquid separators series made of CONCRETE (H/P)

■ Before start-up

1. Clean the entire system and remove mortar residue, soil etc. Remove lock during this operation and (if separator is a coalescence separator) remove the coalescence insert and replace them again afterwards.
2. Fill sludge trap and separator with fresh water. Attention! Always hold lock in raised position when filling, or replace when filling is complete.
3. Re-check tightness of joints in the system.

■ Operation

As well as the maintenance guide, the following regulations must be observed for the entire system:

- DIN 1986 (Land drainage systems)
- DIN 1999 (Light liquid separating systems)
- EN 858 (Light liquid separating systems)
- Local drainage statutes and other regulations

Only waste water that does not affect the intended operation of the separator must be led to the separating system. Emulsions and solvents (cold cleaners, drilling and cutting oils, water-soluble hydrocarbons etc.) must be kept away from the separating system and disposed of as special waste. Rainwater from surfaces for which the separating system is not intended and domestic waste water must not be led to the separating system. Do not remove coalescence insert during operation!

■ Disposal

Separating systems must be emptied at least every six months unless otherwise stipulated by the monitoring authority, but no later than when 85% of the storage capacity has been reached. The cleaning intervals must be shorter if the storage capacity of the separator or the sludge trap is exceeded. The operation of the equipment must not be interrupted.



The separated material must only be emptied, cleaned and taken away by authorised disposal companies.

The oil layer and water beneath it must be extracted first, preferably into separate tanks. The float and the lock must be cleaned and the operation thereof checked every time the equipment is emptied. Remove coalescence insert, clean the sludge trap, give damaged coalescence material to the disposal company and replace with new material. Re-insert the coalescence insert.

Every time that the equipment is emptied and cleaned, refill system with fresh water. Hold lock open by hand when doing this or insert it again afterwards. Use mobile ladders when climbing into the system. Extract vapour/air mixture beforehand.

■ Servicing

The separator system must be serviced at least every 6 months. The system may need to be emptied to do this. Carefully check operation of all parts of the system and inspect for damage. Then fill separator and sludge trap with fresh water, hold lock open by hand or insert afterwards. **Pay attention to accident prevention regulations!**

Operation and maintenance of **AQUAFIX®** light liquid separators series made of CONCRETE (H/P)

■ Before start-up

Clean the entire system and remove mortar residue, soil etc. Fill entire system with fresh water. Check joints of system for leaks.

■ Operation

As well as the maintenance guide, the following regulations must be observed for the entire system:

- DIN 1986 (Land drainage systems)
- DIN 1999 (Light liquid separating systems)
- EN 858 (Light liquid separating systems)
- Local drainage statutes and other regulations

Only waste water that does not affect the intended operation of the separator must be led to the separating system. Particularly domestic waste water and mineral light liquids must be kept away from the separating system, nor must rainwater be led to the separating system.

■ Disposal

1. The separating systems must be cleaned at least every 14 days more frequently if necessary. The cleaning intervals must be shorter if the storage capacity of the separator or the sludge trap is exceeded. The operation of the equipment must not be interrupted.
2. The separated material must only be emptied, cleaned and taken away by authorised disposal companies.
3. Every time that the equipment is emptied and cleaned, refill system with fresh water.
4. Use mobile ladders when climbing into the system. Extract vapour/air mixture beforehand. Pay attention to accident prevention regulations!

■ Servicing

The separator system must be serviced at least every 14 days. The system must be emptied and cleaned to do this. Carefully check operation of all parts of the system and inspect for damage. Then fill the system with fresh water. Pay attention to accident prevention regulations!



AQUAFIX® Separators

Installation Instructions

Separators series „10 PE“ made of polypropylene

Installation advice for AQUAFIX® Separators series „10 PE“ made of polypropylene

■ Installation in frequented areas.

1. The system must be installed below ground.
2. Place the system on a stable base (concrete) in a horizontal position.
3. Connect the inlet and the outlet to the sewage system.
4. Connect the height adaptation equipment if necessary, and adjust the height thereof depending on the nature of the terrain.
5. Fill the system with clean water, packing layers of sand around the equipment.
6. If the system is being installed in a frequented area a 400 kN cast iron cover must be provided. The cast iron lid is attached to the self-supporting concrete base and sealed, whereby the edge of the floor (height and reinforcement must be calculated) serves as a base.
7. Manual transport on side can be done easily with steel bars which can be put through the holes of the outer stop rings.

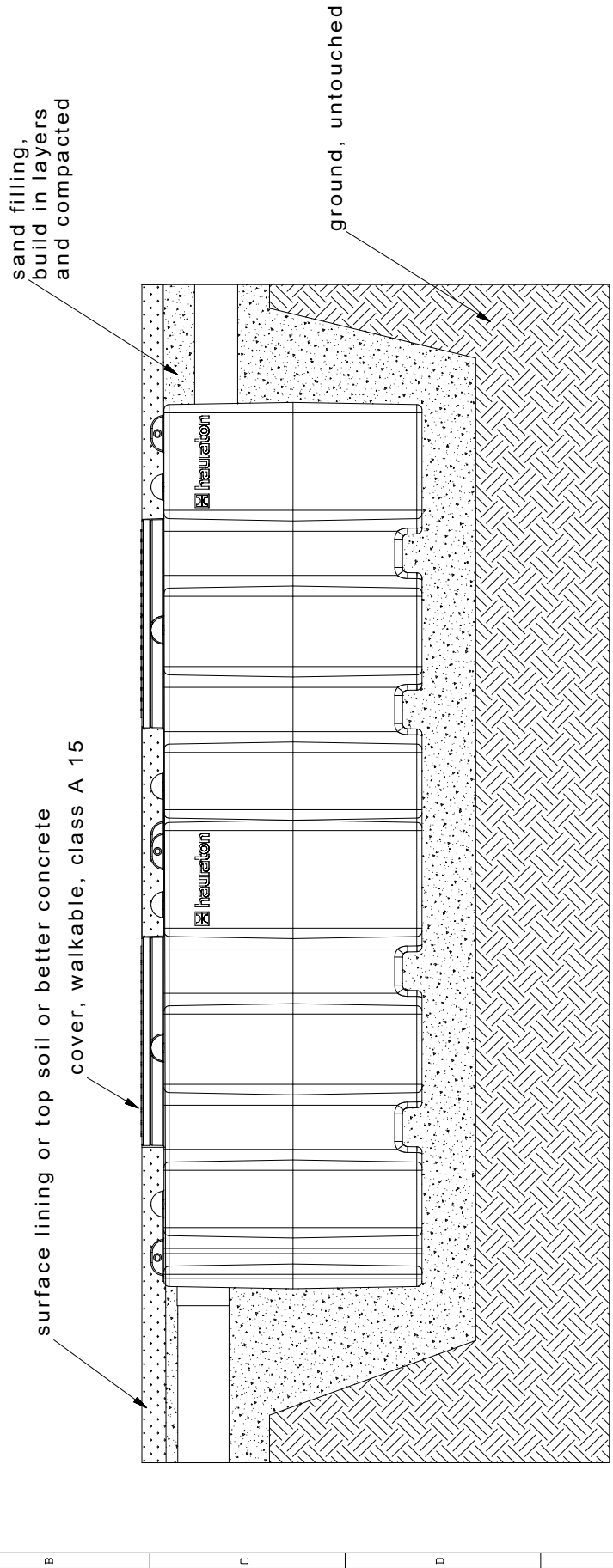
■ Installation outside frequented areas.

1. The system must be installed below ground.
2. Place the system on a compressed earth or concrete base in a horizontal position.
3. Connect the inlet and the outlet to the sewage system.
4. If necessary, attach the height adapter and adjust the height thereof depending on the nature of the top edge of the ground.
5. Fill the system with clean water, packing layers of sand down around the system.
6. If several height adapters are required, a self-supporting concrete base must be made (base height and reinforcement must be calculated).
7. Manual transport on side can be done easily with steel bars which can be put through the holes of the outer stop rings.

Installation Drawing

Installation drawing separators series 10 PE

walkable areas - loading capacity A 15



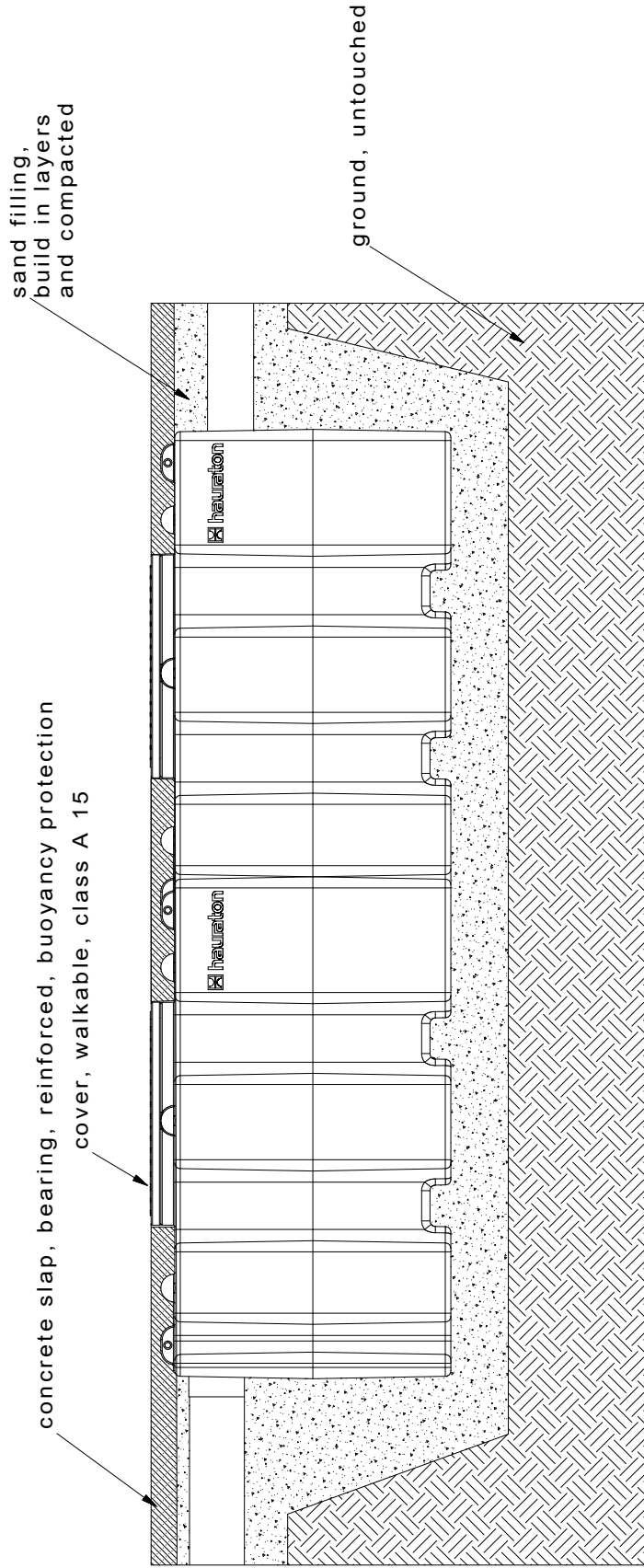
Installation at minor depth,
Separator is not protected against buoyancy!
Separator should be filled with water
during placement of sand,
filling continuously.

		Basisdruck Einbauzeichnung PE_KI_A_ger		Artikel-Nr. C10150		Zeichnungs-Nr.	
Werkst. Nr. 13 Tel. +49 72 23 9 33-0 76437 Rastatt Germany		Artikel-Nr. 0000018701		Format DIN A3		Lieferant-Nr.	
Alleprentieren nach		Datum		gwk. Gewicht		Blatt 1	
Umfängerschutz nach DIN 34 beachten		08.12.08		C.o.e		Projekt 10 PE	
Erst-Erstellung		08.12.08		C.o.e		Maßstab 1:50	
Änderungs-Freigabe		08.12.08		C.o.e		Status	
Version		Änderungen		Datum		Name	

Installation Drawing

Installation drawing separators series 10 PE

walable areas - loading capacity A 15



concrete slab, bearing, reinforced, buoyancy protection cover, walkable, class A 15

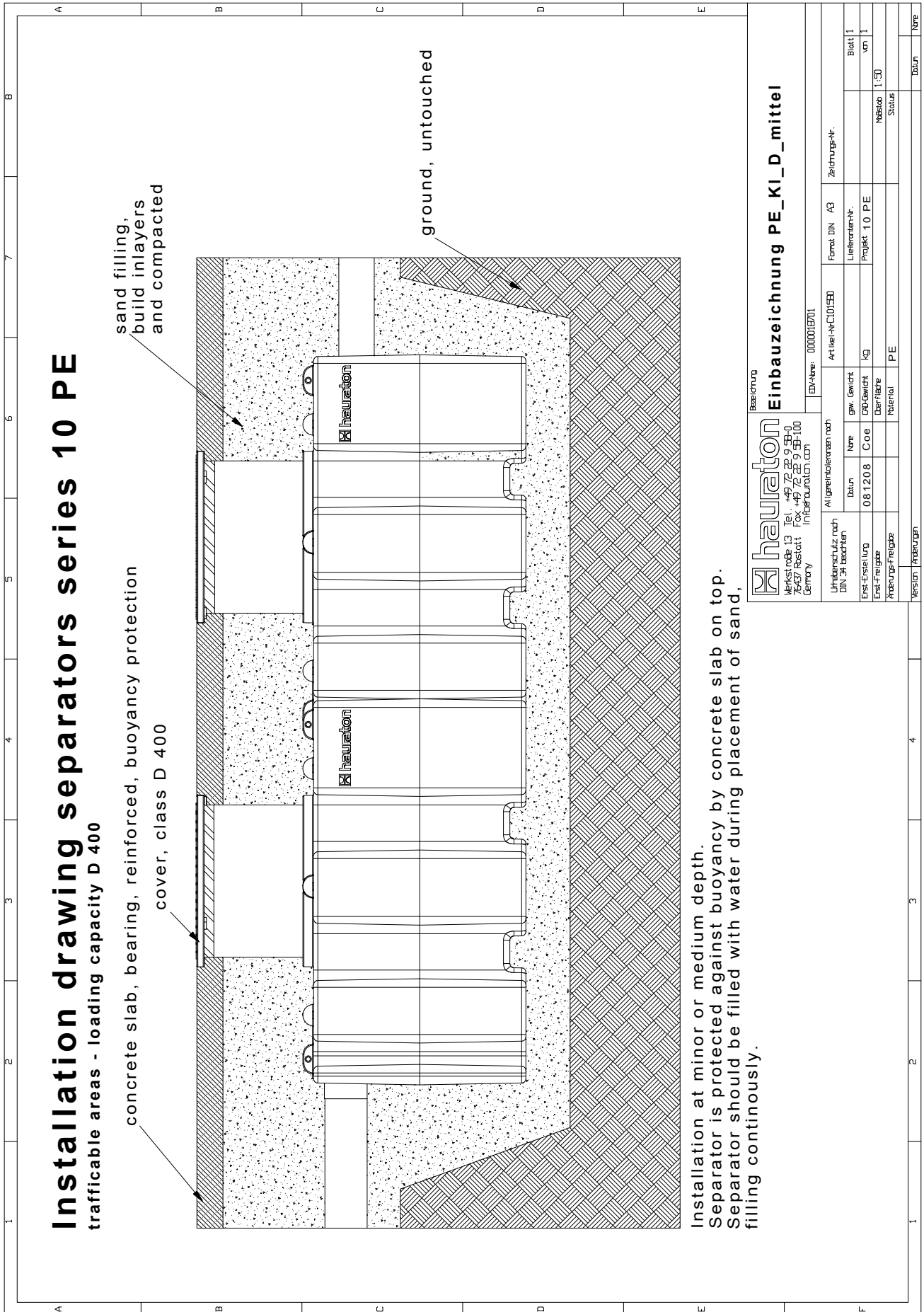
sand filling, build in layers and compacted

ground, untouched

Installation at minor depth, Separator is protected against buoyancy by concrete slab on top! Separator should be filled with water during placement of sand, filling continuously.

<p>Werkstraße 13 Tel. +49 72 28 9 33-0 76437 Rastatt Fax +49 72 28 9 33-100 Germany info@hauerton.com</p>		<p>Bezeichnung Einbauzeichnung PE_KI_A_ger_as</p> <p>EDV-Nr.: 0000018701</p>	
<p>Umfeldschutz nach DIN 34 beachten</p>	<p>Allegründierungen nach</p>	<p>Format DIN A3</p>	<p>Zeichnungs-Nr.</p>
<p>Datum</p>	<p>Blatt</p>	<p>Lieferanten-Nr.</p>	<p>Blatt 1</p>
<p>08.12.08</p>	<p>1</p>	<p>Projekt 10 PE</p>	<p>von 1</p>
<p>Erst-Erstellung</p>	<p>Coe</p>	<p>ggk. Gewicht</p>	<p>Masse 1:50</p>
<p>Erst-Freigabe</p>	<p>Abfertige</p>	<p>ggk. Gewicht</p>	<p>Skala</p>
<p>Anbau-Freigabe</p>	<p>Material</p>	<p>PE</p>	<p>Skala</p>
<p>Version</p>	<p>Anfragen</p>	<p>Datum</p>	<p>Nr.</p>
<p>1</p>	<p>2</p>	<p>3</p>	<p>4</p>

Installation Drawing



Installation at minor or medium depth.
 Separator is protected against buoyancy by concrete slab on top.
 Separator should be filled with water during placement of sand,
 filling continuously.

Installation Instructions

AQUAFIX® „PP“

AQUAFIX® concrete

AQUAFIX® Steel „K“

AQUAFIX® Steel „G“

Installation Drawing

Installation drawing separators series 10 PE

trafficable areas - loading capacity D 400

concrete slab, bearing, reinforced

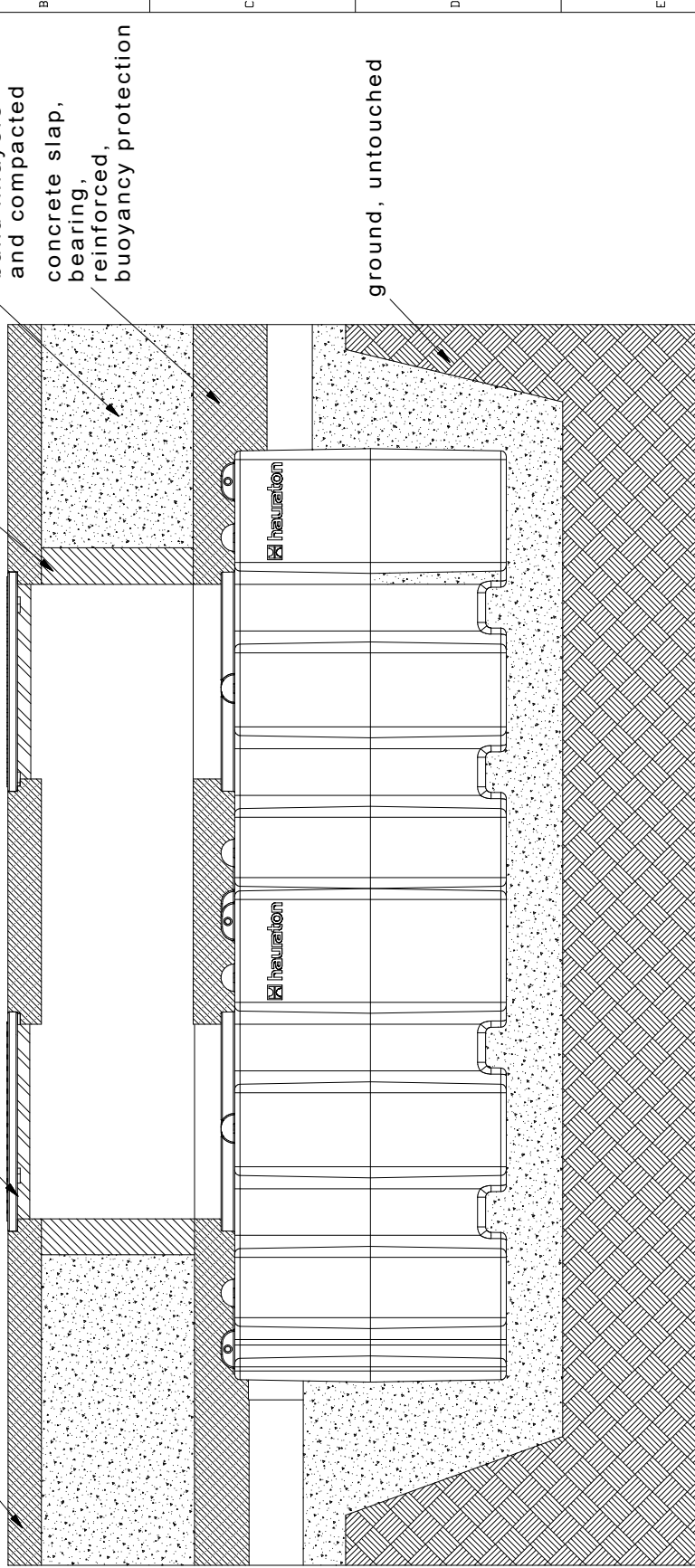
cover, class D 400

shaft, build insitu, masonry or concrete

sand filling, build inlayers and compacted

concrete slab, bearing, reinforced, buoyancy protection

ground, untouched



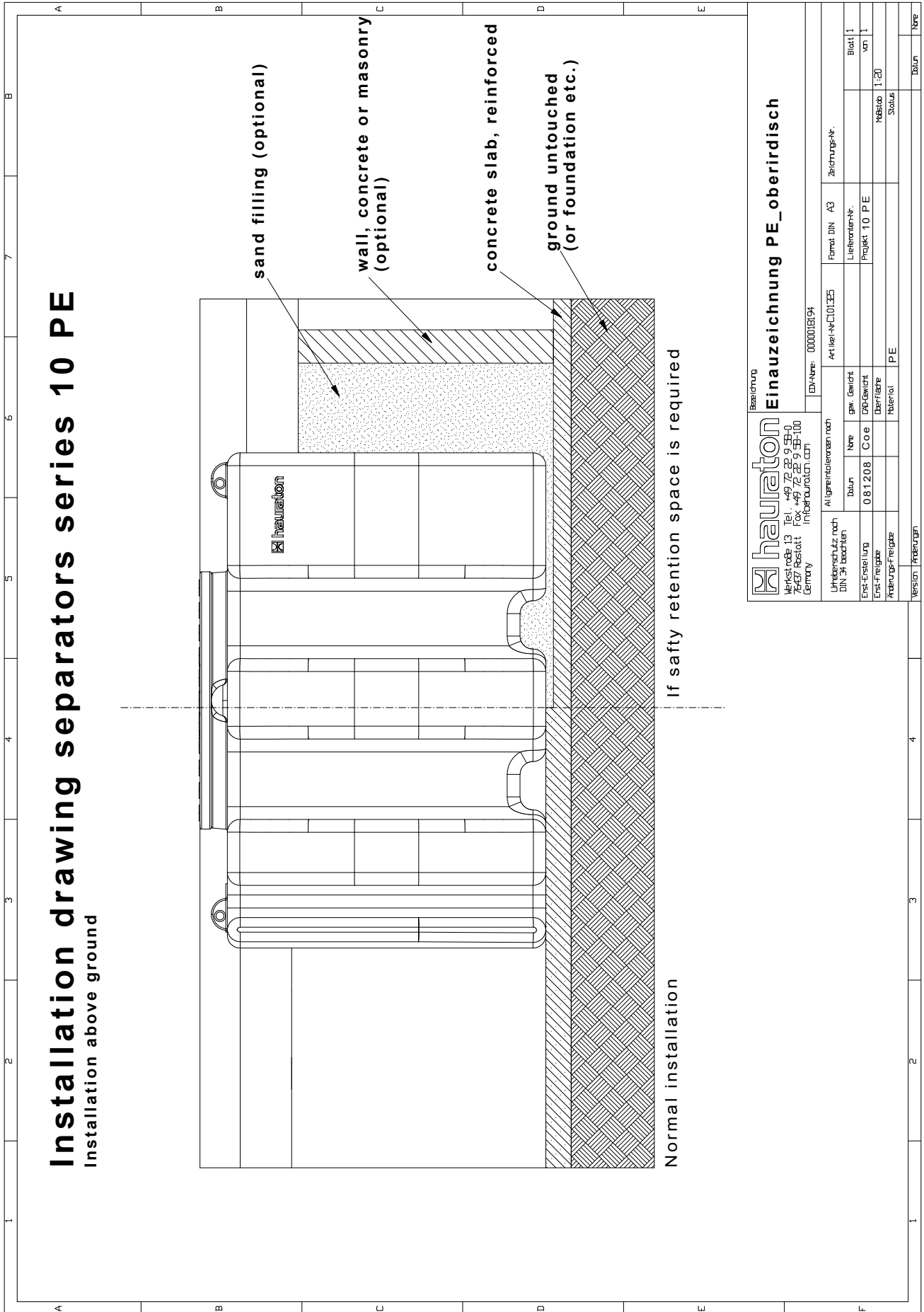
Installation major depth. Separator is protected against buoyancy by concrete slab on top. Separator should be filled with water during placement of sand, filling continuously.

hauration Werkstraße 13, Tel. +49 72 22 9 33-0 76377 Rastatt, Germany info@hauration.com		Einbauzeichnung PE_KI_D_tief EDV-Nr.: 0000018701	
Allgemeine Anmerkungen nach Datum: 08.12.08 C-Code: C06 Darf. Nr.: Material: PE	Form: DIN A3 Lieferant-Nr.: Projekt: 10_P.E. Maßstab: 1:50 Status:	Zeichnungs-Nr.: Blatt 1 von 1	Datum:
Umweltschutz nach DIN 34 beschriften Erst-Erstellung Änderungs-Freigabe Version:	gk. Gewicht DDP-Gewicht Darf. Nr.: Material:	Zeichnungs-Nr.: Blatt 1 von 1	Datum:

Installation Drawing

Installation drawing separators series 10 PE

Installation above ground



hauraton Werkstraße 13 Tel. +49 72 22 9 55-0 76437 Rastatt Fax +49 72 22 9 55-100 Germany info@hauraton.com		EDW-Nr.: 000019194	
Bezeichnung Einauzeichnung PE_oberirdisch		Formel DIN A3 Zeichnungs-Nr.	
Art/Nr./Material-Nr. nach Lieferzust. nach DIN 24 laodfien	Art/Nr. NC101325	Lieferanten-Nr. Projekt 10 PE	Zeichnungs-Nr. Blatt 1 von 1
Erst-Erstellung 0.8.12.08 C.O.e	ggr. Gewicht DfD-Gewicht Darfl.fläche Material PE	Nachtrag Status	Blatt 1 von 1
Version: 10/2009	Datum:	Name:	Version:

AQUAFIX® Separators

Installation Instructions

Separators series „10 PE“ made of polypropylene

Operation and maintenance of AQUAFIX® light liquid separators series „10 PE“ made of polypropylene

■ Before start-up

1. Clean entire system and remove residual mortar, soil etc.
2. Fill sludge trap and separator with fresh water.
Please ensure that water level is same in all chambers of tank, and fill in sequence!
3. Re-check joints of system for leaks.

■ Operation

Separator must be drained at least every six months, but should not be allowed to fill to more than 85% of its storage capacity. Cleaning must occur more often if the storage capacity of the separator or sludge trap is exceeded. Operation must not be interrupted. All separated material must be drained, cleaned and taken away for disposal by an approved disposal company. Please empty the separator and the sludge trap of this type of system at the same time if possible. First extract the oil layer from the system and then the layer of water beneath it, into separate tanks if possible. Clean float and seal every time the system is emptied and check operation thereof.

With coalescence separators: If the coalescence material is soiled, remove coalescence material, clean above sludge trap, give damaged coalescence material to disposal company and replace with new material. Replace coalescence material. Refill system with fresh water whenever it is emptied and cleaned.

Operation and maintenance of AQUAFIX® grease separator series „10 PE“ made of polypropylene

■ Before start-up

Clean entire system and remove any residual mortar, soil etc. if necessary. Fill entire system with fresh water. Check joints of system for leaks.

■ Operation

As well as the maintenance guide, the following instructions must be followed for the entire system:

- EN 1825 Grease separating systems
- Local water removal regulations and other instructions

Only sewage that does not have a detrimental effect on the intended operation of the separator must be led to the separator. It is particularly important to prevent domestic sewage and light mineral liquids from entering the separator. Do not allow rainwater to enter the system.

■ Disposal

1. Grease separators must be cleaned at least once per month, possibly more frequently. Cleaning must take place more frequently if the separator or sludge trap storage capacity is exceeded. The operation of the separator must not be affected.
2. Have all separated material drained, cleaned and taken away by an approved disposal company.
3. Fill entire system with fresh water after it has been emptied and drained.
4. Use mobile ladders when entering the system. Extract vapour/air mixture beforehand. Pay attention to accident prevention regulations!

■ Maintenance

The separator must be serviced at least once per month. The system must be drained and cleaned in order to do this. Carefully check that all system components are in good working order and undamaged. Then refill system with fresh water. **It is extremely important to observe the accident prevention regulations!**

Installation Instructions	AQUAFIX® „PP“	AQUAFIX® „10 PE“	AQUAFIX® concrete	AQUAFIX® Steel „k“	AQUAFIX® Steel „G“
----------------------------------	----------------------	-------------------------	--------------------------	---------------------------	---------------------------

AQUAFIX® Separators

Installation Instructions

Separators series „PP“ made of polypropylene

Installation advice for AQUAFIX® light liquid separators series „PP“ made of polypropylene

■ Installation in a frequented area

1. The system must be installed below ground.
2. Place the system on a stable base (concrete) in a horizontal position.
3. Connect the inlet and the outlet to the sewage system.
4. Connect the height adaptation equipment if necessary, and adjust the height thereof depending on the nature of the terrain.
5. Fill the system with clean water, packing layers of sand around the equipment.
6. If the system is being installed in a frequented area a 400 kN cast iron cover must be provided. The cast iron lid is attached to the selfsupporting concrete base and sealed, whereby the edge of the floor (height and reinforcement must be calculated) serves as a base.

■ Installation outside frequented areas.

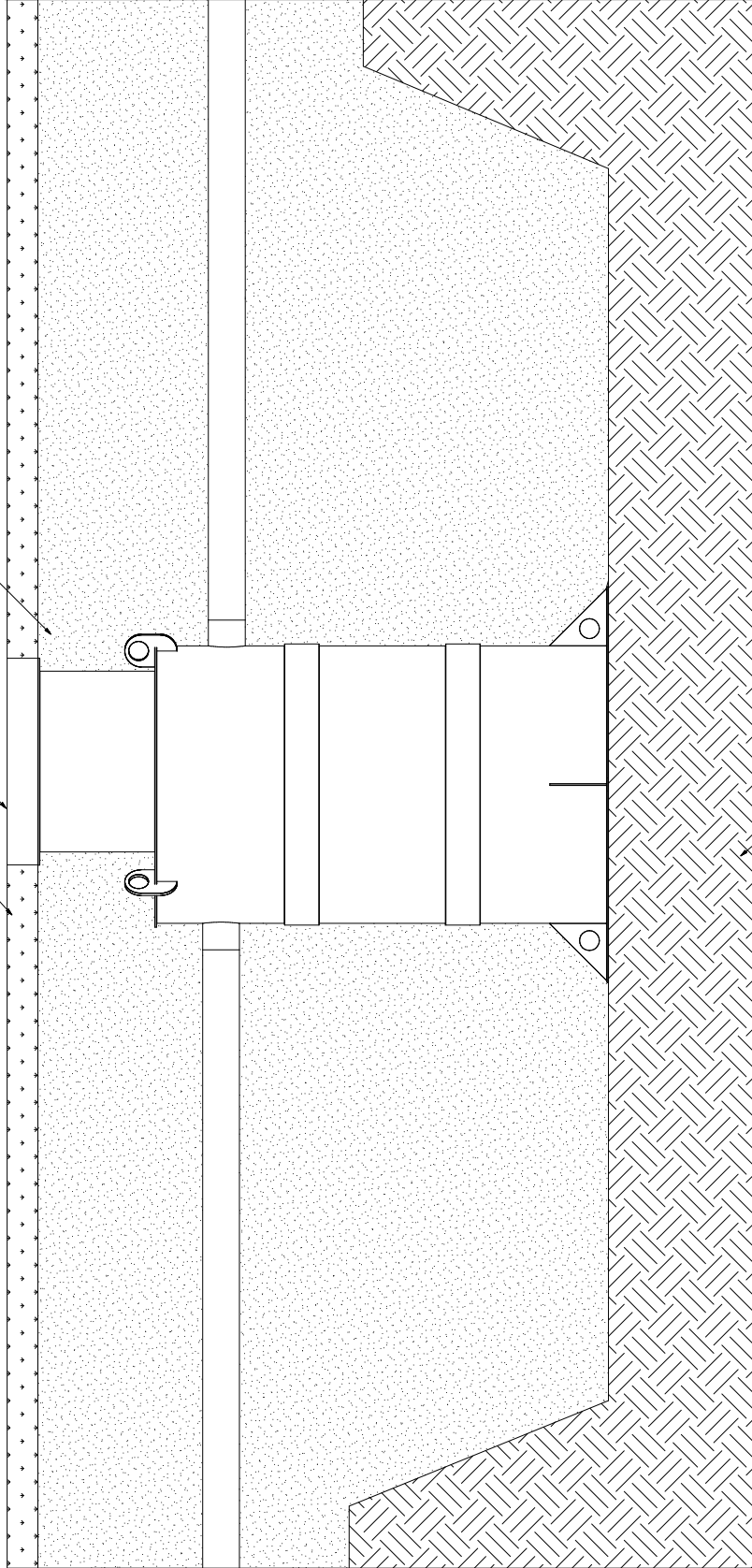
1. The system must be installed below ground.
2. Place the system on a compressed earth or concrete base in a horizontal position.
3. Connect the inlet and the outlet to the sewage system.
4. Connect the ventilation (diam. 50 mm).
5. If necessary, attach the height adapter and adjust the height thereof depending on the nature of the top edge of the ground.
6. Fill the system with clean water, packing layers of sand down around the system.
7. If several height adapters are required, a self-supporting concrete base must be made (base height and reinforcement must be calculated).

Installation Drawing

Installation drawing separator from PP

walkable areas - loading capacity A 15

surface lining on top soil
cover, walkable, class A 15
sand filling,
build in layers and compacted



Installation at minor depth.
Separator is not protected against buoyancy!
Separator should be filled with water during placement of sand filling continuously.

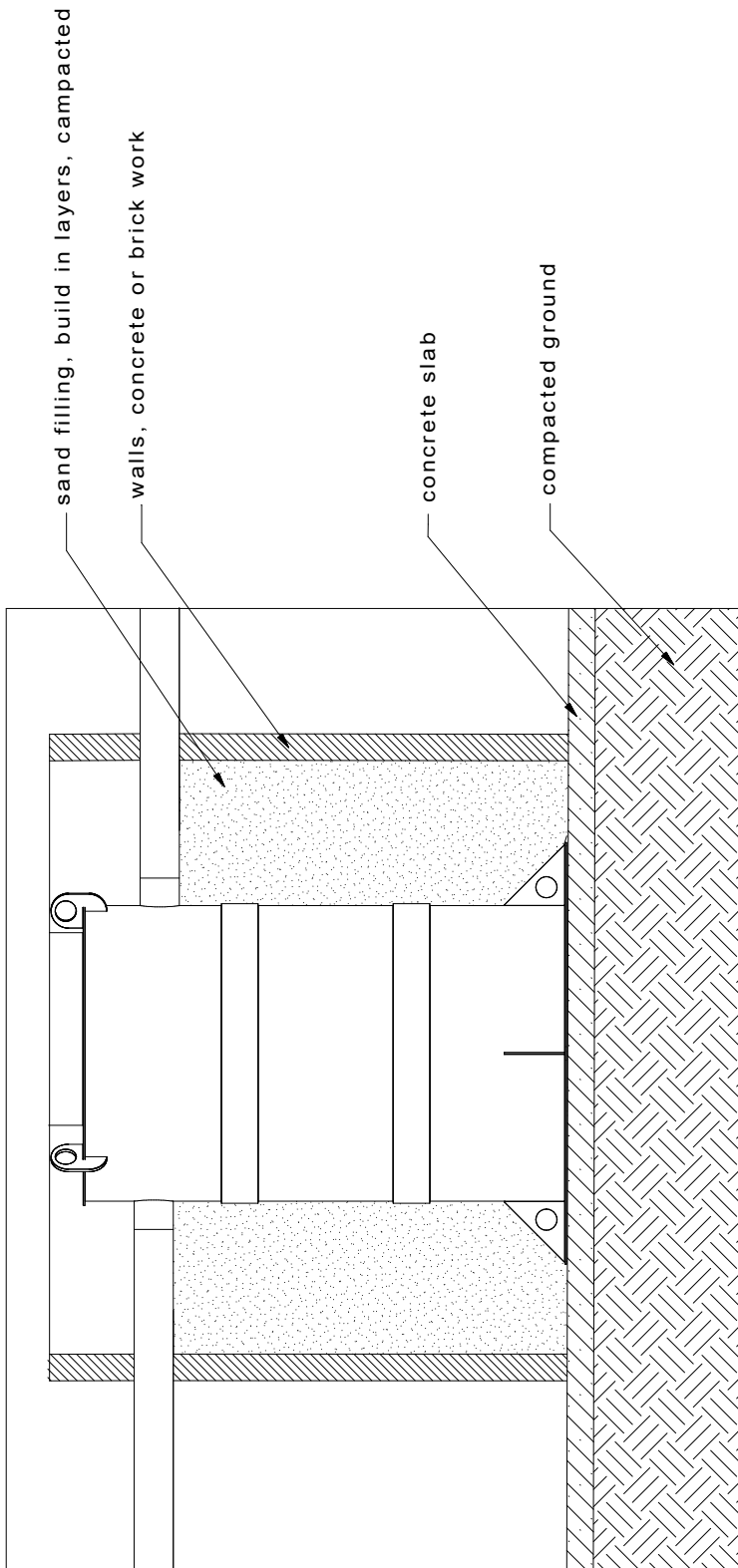
ground, untouched

hauraton
Einbauzeichnung PP Kl. A
geringe Tiefe englisch

Erstellt: Coe	070725	AQUAFIX	Hauraton GmbH & Co KG
gezeichnet: Coe	070725	Umstellung auf PP	Werksstrasse 13
CoE	081208	Textänderungen	D-76437 Haselau
			tel: +49 7222 958-0
			fax: +49 7222 958-100
			www.hauraton.com
			mail: export@hauraton.com

Installation Drawing

Installation drawing separator from PP
overground installation



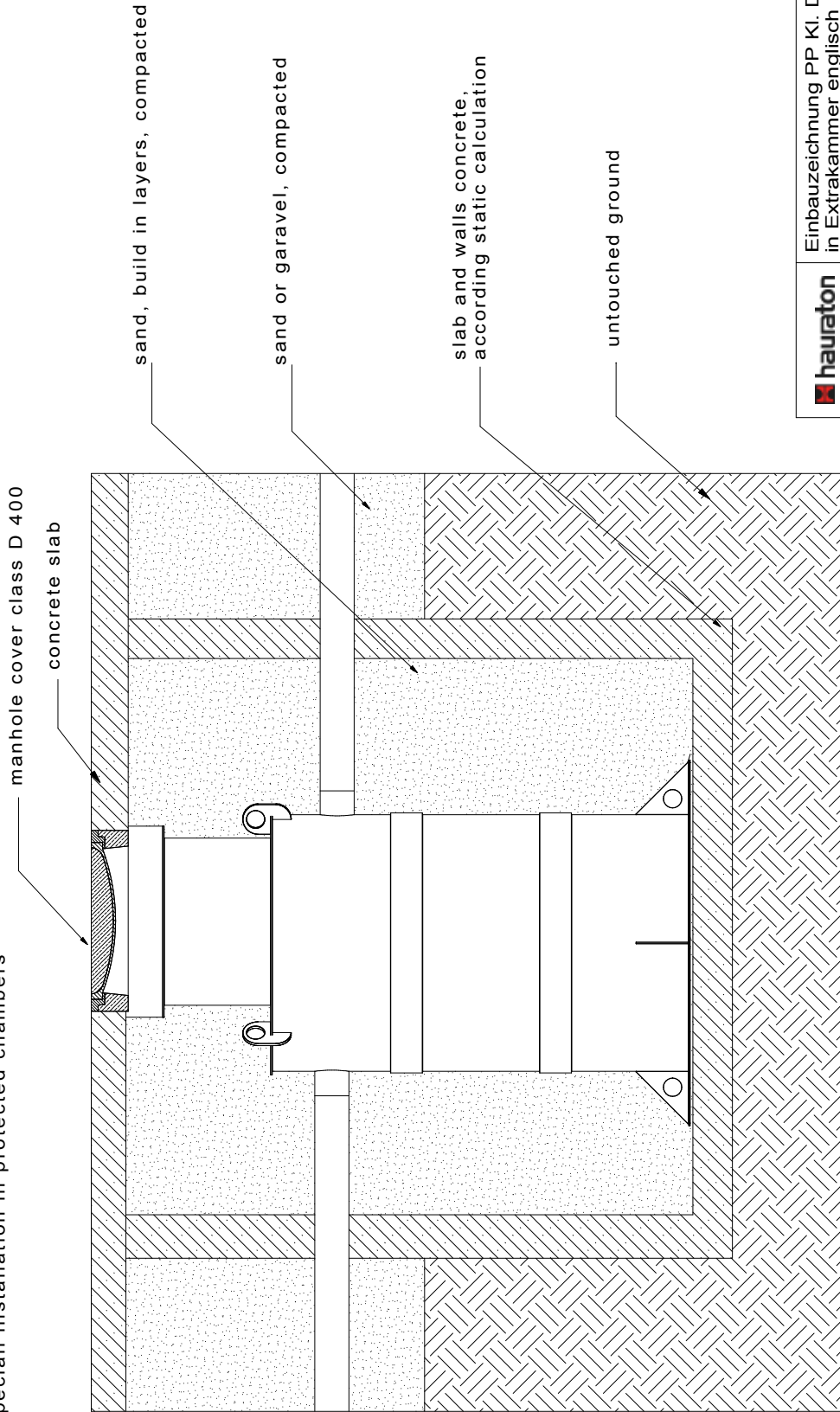
Overground installation
Separator should be filled with water during
placement of sand filling continuously

hauraton		Einbauzeichnung PP Kl. A Oberirdisch englisch	
Erstellt: Coe	070725	AQUAFIX	
gezeichnet: Coe	070725	Hauraton GmbH & Co KG Werksstrasse 13 D-76437 Restat Tel. +49 7222 989 100 Fax +49 7222 989 100 www.hauraton.com mail: export@hauraton.com	
gezeichnet: Coe	081208	Anbauart: Umstellung auf PP Textänderungen	

Installation Drawing

Installation drawing separator from PP

Speciall installation in protected chambers



hauraton Einbauzeichnung PP Kl. D
in Extrakammer englisch

Erstellt: Coe	070725	AQUAFIX	Hauraton GmbH & Co KG
gezeichnet durch:	070725	Umstellung auf PP	Werktstrasse 13
CoE	081208	Textänderungen	D-76437 Haslach
			tel: +49 7222 958-0
			fax: +49 7222 958-100
			www.hauraton.com
			mail: export@hauraton.com

AQUAFIX® Separators

Installation Instructions

Separators series „PP“ made of polypropylene

Operation and maintenance of AQUAFIX® light liquid separators series „PP“ made of polypropylene

■ Before start-up

1. Clean entire system and remove residual mortar, soil etc.
2. Fill sludge trap and separator with fresh water. Please ensure that water level is same in all chambers of tank, and fill in sequence!
3. Re-check joints of system for leaks.

■ Operation

As well as following the maintenance guide, the entire system must comply with the following regulations:

- EN 858 (Light liquid separating systems)
- Local drainage statutes and other instructions

Only sewage that does not have a detrimental effect on the intended operation of the separator must be led into the system. Emulsions and solvents (cold cleaners, drilling and cutting oil, water-soluble hydrocarbons etc.) must not be allowed to enter the separator. Dispose of these materials together with the special waste. Rainwater from surfaces for which the separator was not intended and domestic sewage must not be led into the separator. With coalescence separators: Do not remove coalescence insert during operation!

■ Disposal

Separator must be drained at least every six months, but should not be allowed to fill to more than 85% of its storage capacity. Cleaning must occur more often if the storage capacity of the separator or sludge trap is exceeded. Operation must not be interrupted. All separated material must be drained, cleaned and taken away for disposal by an approved disposal company.

Please empty the separator and the sludge trap of this type of system at the same time if possible. First extract the oil layer from the system and then the layer of water beneath it, into separate tanks if possible. Clean float and seal every time the system is emptied and check operation thereof.

With coalescence separators: If the coalescence material is soiled, remove coalescence material, clean above sludge trap, give damaged coalescence material to disposal company and replace with new material. Replace coalescence material. Refill system with fresh water whenever it is emptied and cleaned.



Operation and maintenance of **AQUAFIX®** Separators series „PP“ made of polypropylene

■ Before start-up

Clean entire system and remove any residual mortar, soil etc. if necessary. Fill entire system with fresh water. Check joints of system for leaks.

■ Operation

As well as the maintenance guide, the following instructions must be followed for the entire system:

- EN 1825 Grease separating systems
- Local water removal regulations and other instructions

Only sewage that does not have a detrimental effect on the intended operation of the separator must be led to the separator. It is particularly important to prevent domestic sewage and light mineral liquids from entering the separator. Do not allow rainwater to enter the system.

■ Disposal

1. Grease separators must be cleaned at least once per month, possibly more frequently. Cleaning must take place more frequently if the separator or sludge trap storage capacity is exceeded. The operation of the separator must not be affected.
2. Have all separated material drained, cleaned and taken away by an approved disposal company.
3. Fill entire system with fresh water after it has been emptied and drained.
4. Use mobile ladders when entering the system. Extract vapour/air mixture beforehand. Pay attention to accident prevention regulations!

■ Maintenance

The separator must be serviced at least once per month. The system must be drained and cleaned in order to do this. Carefully check that all system components are in good working order and undamaged. Then refill system with fresh water. **It is extremely important to observe the accident prevention regulations!**



HAURATON partner

HAURATON GmbH & Co. KG

Werkstraße 13
76437 Rastatt
Germany

Tel. +49 7222 958 222

Fax +49 7222 958 100

info@hauraton.com

www.hauraton.com



07/2017 | Printed in Germany
All drawings, Measurements and weights
are noncommittal. We reserve the right to
do technical changes for improvement
EN 001-05-0717